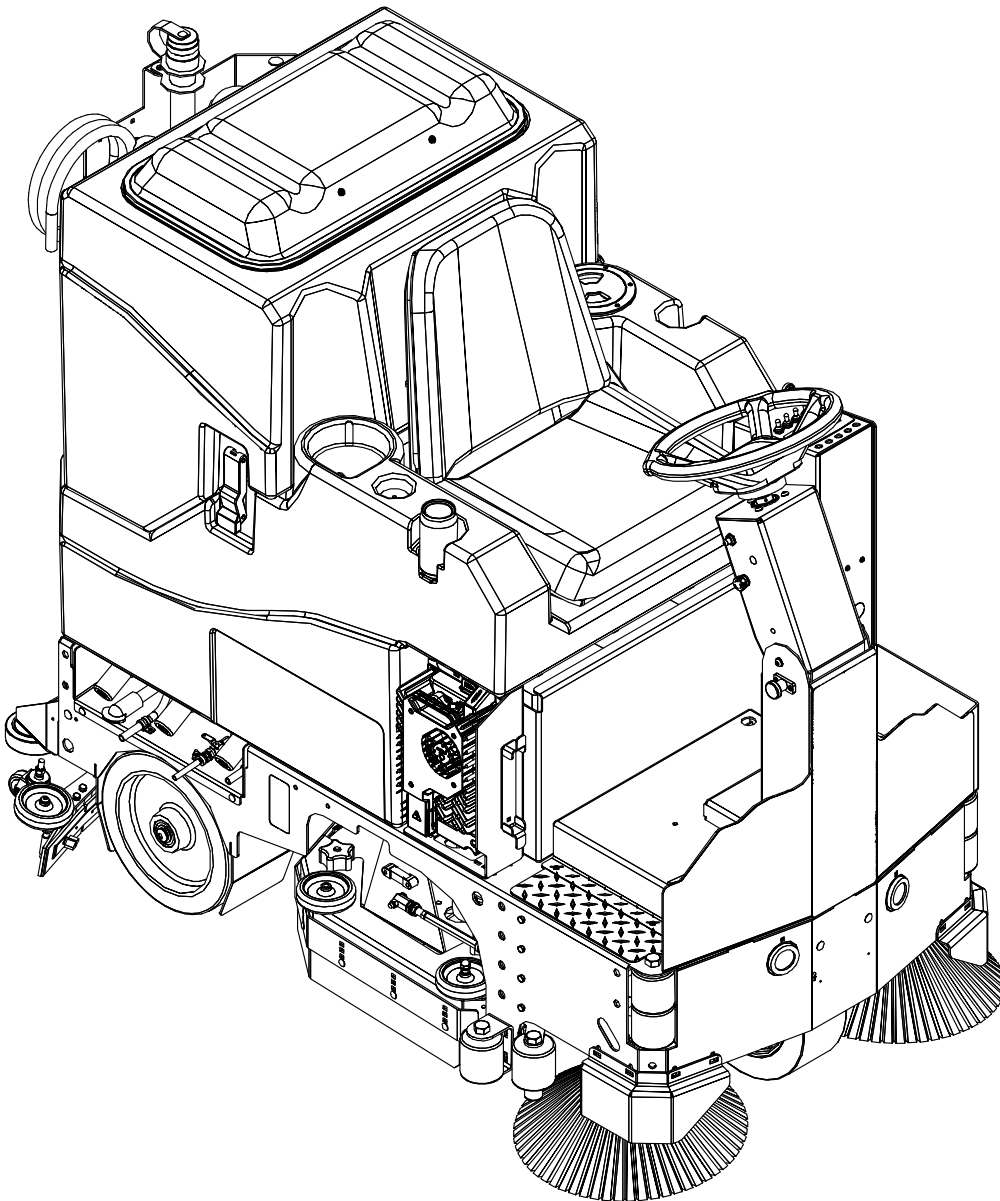


TOMCAT®



Parts Manual (EN)



Read Operation Instructions
before using the machine.



Read the Safety Messages
before using the machine.

www.tomcatequip.com
1711 South Street
Racine, WI 53404 (USA)
(800) 450-9824 | (001) 262-681-6470
© 2019 RPS Corporation

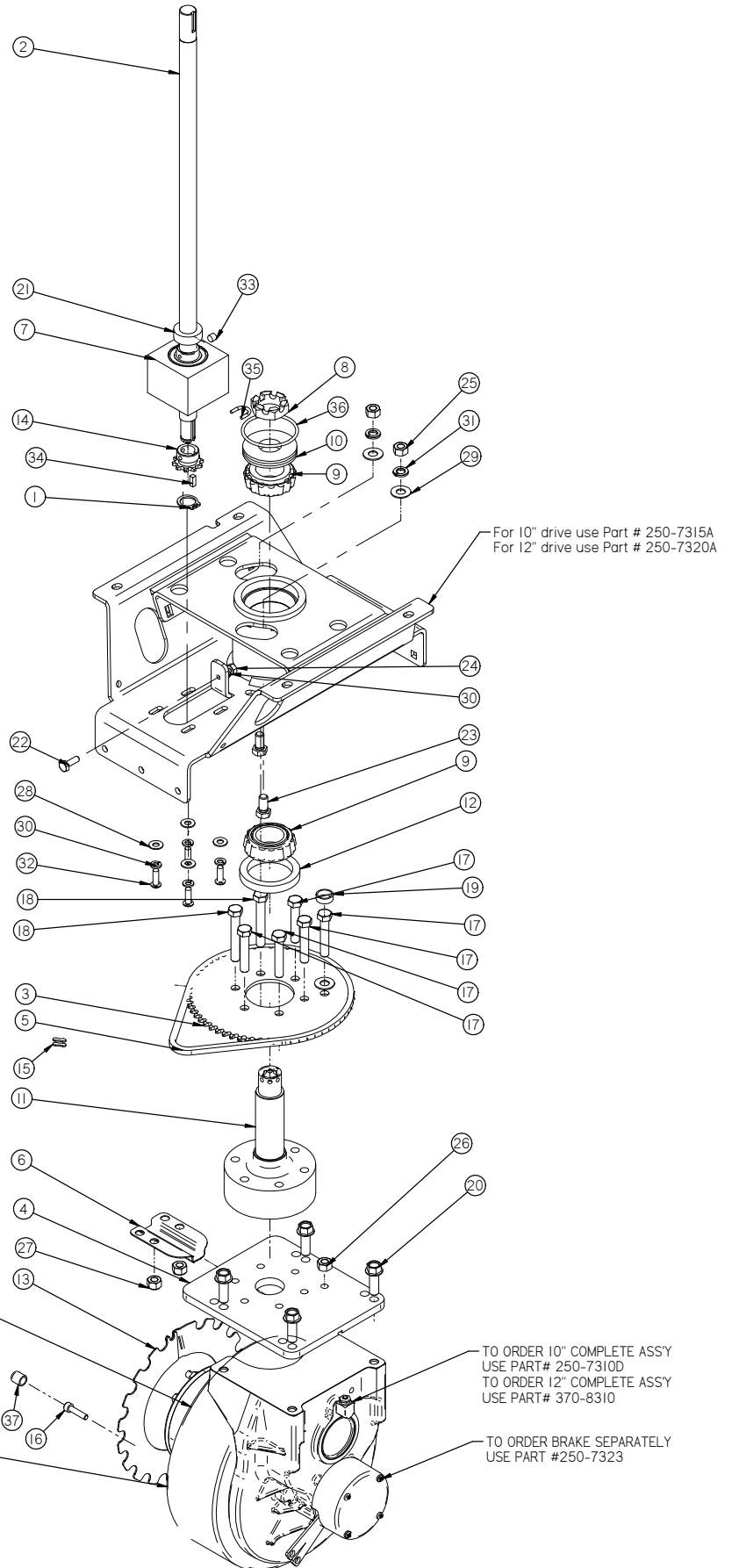
Scan With Phone for more Information

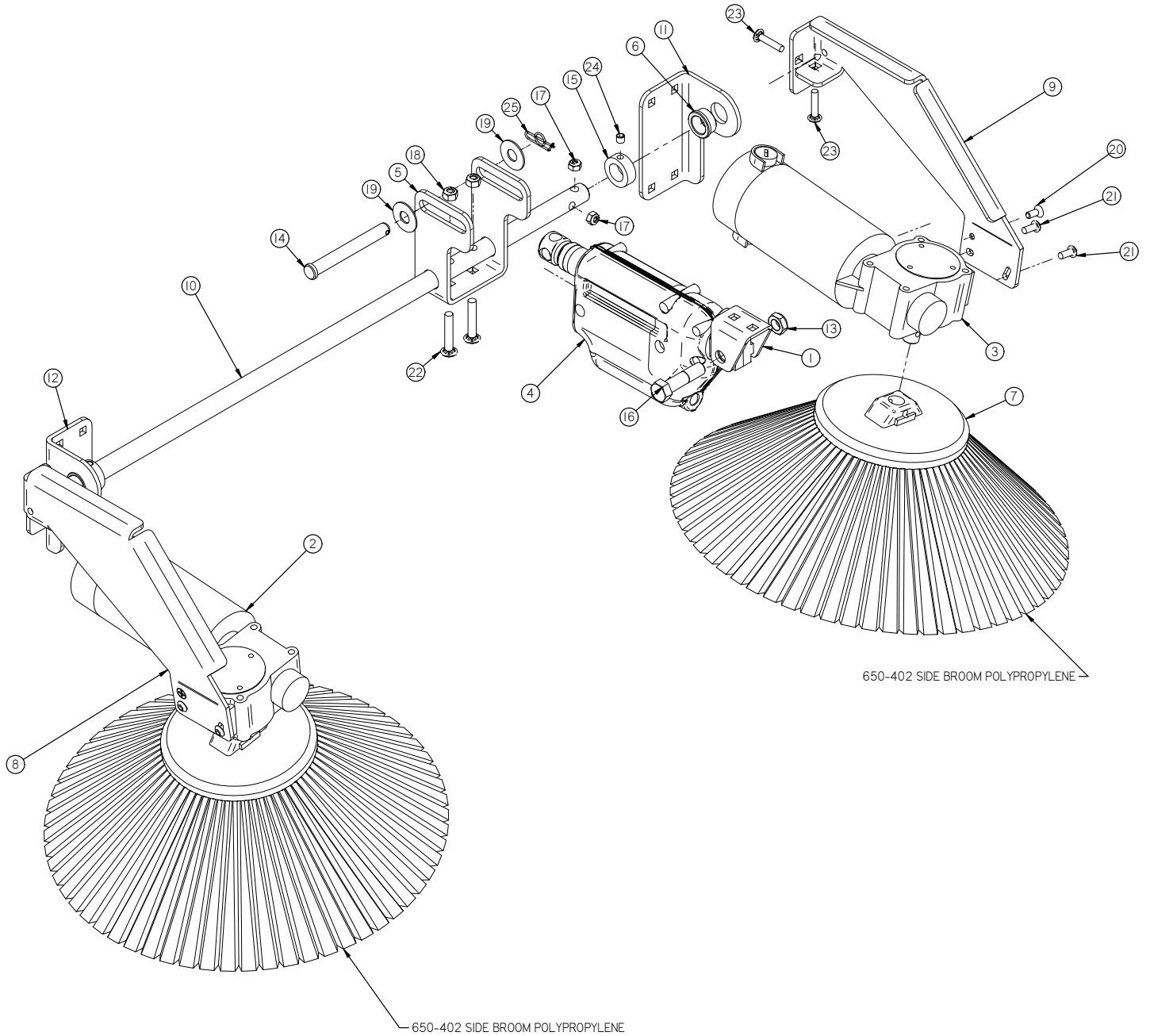


V19.228
TC-EX-P-EN

Front Wheel Drive.....	4
Side Brooms	5
Front Wheel, Side Brooms, and Side Rollers	6
Attaching Decks.....	8
Disk Shrouds	9
Disk Decks.....	10
Cylindrical Decks	12
Cylindrical Wipers.....	14
Cylindrical Doors	15
Squeegee Trail Arm - Standard	16
Squeegee Trail Arm - Pivot (Optional).....	17
Squeegee Assembly.....	18
Attaching Squeegee Trail Arm, Bumper, & Axle	19
Solution System.....	20
ZERO3 System	21
Suds System	22
Solution & Recovery Tank	23
Tank Baffle.....	24
Vacuum Motor Assembly	25
Attaching Tanks & Batteries.....	26
Central Command	27
Steering Column.....	29
Attaching Steering Column & Central Command	30
34" Disk & 33" Cylindrical Doors	31
30" Disk & 29" Cylindrical Doors	32
Common Wear Parts	33
Tank Stickers	35
Central Command Stickers.....	36

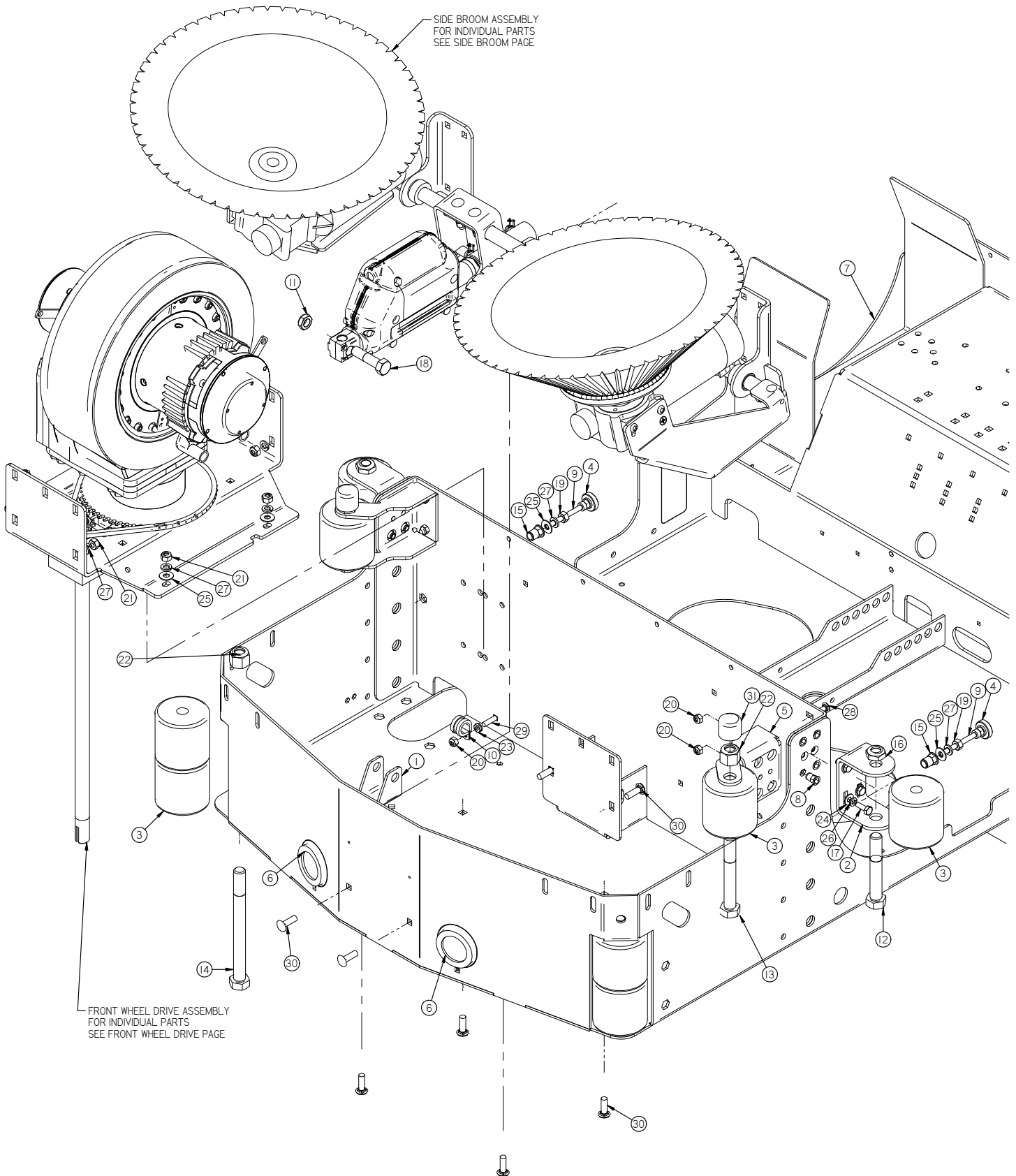
Item	Part No.	Part Description	Qty.
1		SNAPRING	1
2	250-7120	STEERING SHAFT, LOWER	1
3	250-7314	60 TOOTH STEERING SPROCKET	1
4	250-7326	PIVOT PLATE	1
5	250-7327	STEERING CHAIN	1
6	250-7328	WIRE GUIDE	1
7	349-7230A	BEARING BLOCK W/BEARINGS	1
8	37-7321	SLOTTED NUT, 2.0 - I2	1
9	370-7317	TAPERED ROLLER BEARING	2
10	370-7321	PRE LOAD SLEEVE	1
11	370-7332	1.25" DIA. STEERING SPINDLE	1
12	370-8374	BEARING SEAL	1
13	370-9557	DRIVE GUARD	2
14	5-826	10 TOOTH SPROCKET	1
15	5-831	MASTER LINK	1
16	H-0135920	SHC M6-1 X 25 ZINK	10
17	H-0172949	HCS 3/8"- 24 X 2" SS FULL THREADED	5
18	H-0172951	HCS 3/8"- 24 X 2-1/2" SS FULL THREADED	2
19	H-05233	PVC TUBING	1
20	H-11115680	FB CASHD M10-1.5 X 30mm	4
21	H-33376	SHAFT COLLAR, 3/4" ID X 9/16 LG	1
22	H-70003	HCS 1/4"- 20 X 3/4" SS	1
23	H-70103	HCS 3/8"-16 X 3/4" SS	2
24	H-70710	HN 1/4"- 20 SS	1
25	H-70712	HN 3/8"-16 SS	2
26	H-70732	HN 3/8"- 24 SS	1
27	H-70882	NYLOK 3/8"- 24 SS	2
28	H-71013	FW 1/4 ID X 5/8 OD SS	4
29	H-71017	FW 3/8 ID X 7/8 OD SS	3
30	H-71063	LW 1/4" SS	5
31	H-71067	LW 3/8" SS	2
32	H-73754	BHSCS 1/4 - 20 X 3/4" SS	4
33	H-81983	5/16" X 1/4" KURL SET SCREW	1
34	H-K1432	3/16" X 1/2" KEY	1
35	M-938IT24	S-HOOK	1
36	M-9452K66	.125 X 2.25 X 2.5 O-RING,par	1
37	M-9753K16	VINYL CAP, 1/2"	10





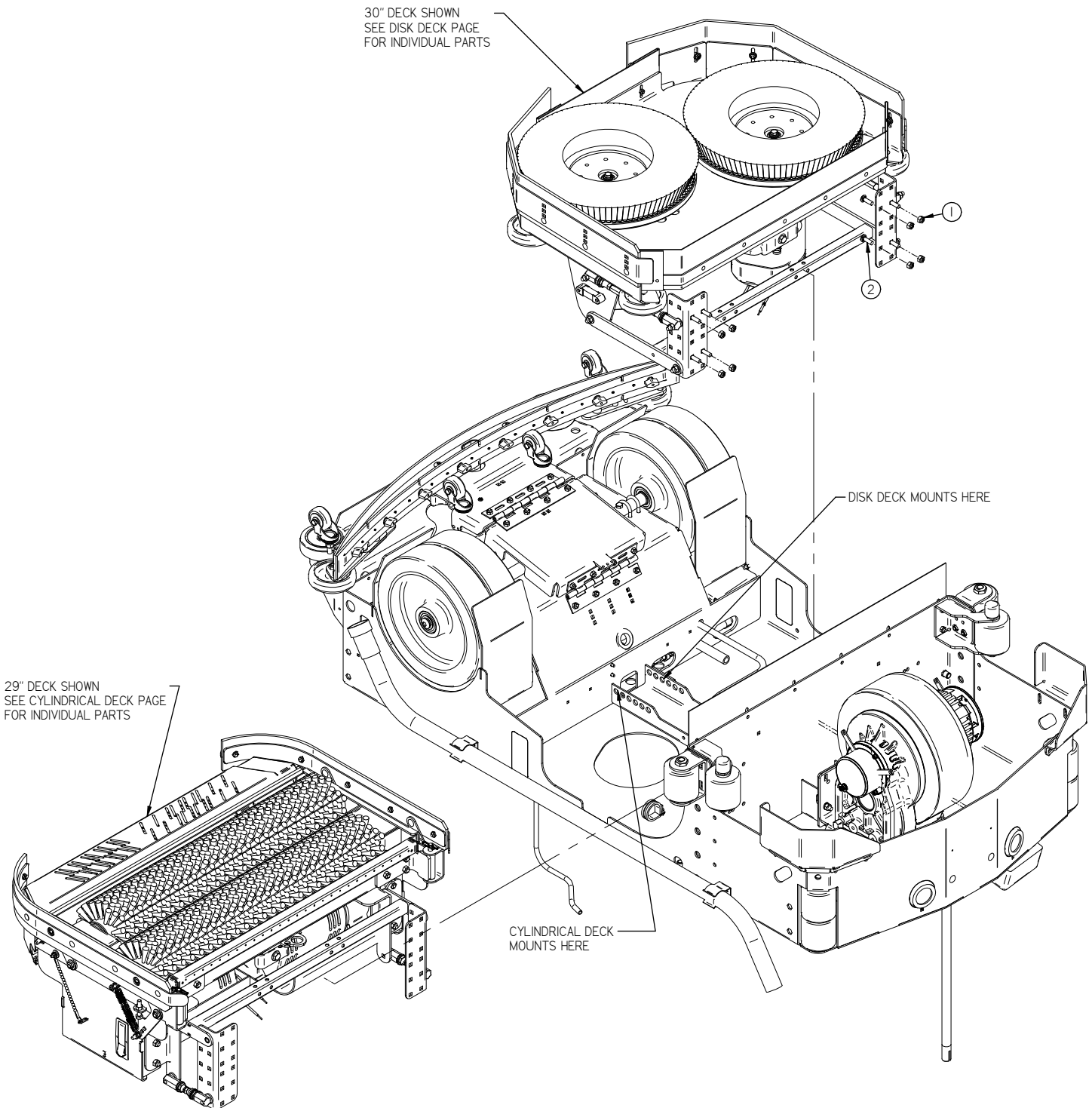
Item	Part No.	Part Description	Qty.
1	150-1006	LIFTING BRACKET	1
2	250-0220	IRHI SIDE BROOM MOTOR, 36V 106 RPM	1
3	250-0222	ILHI SIDE BROOM MOTOR, 36V 106 RPM (44-1)	1
4	250-2240	2" STROKE 36V ACTUATOR 450 LB LOAD	1
5	370-4422	SIDE BROOM PIVOT	1
6	4-4230	3/4" X 1" X 1/2" FLG BEARING	2
7	650-402	15.5 SIDE BROOM POLYPROPYLENE	2
8	650-4420	IRHI SIDE BROOM LIFT ARM	1
9	650-4421	ILHI SIDE BROOM LIFT ARM	1
10	650-4621	SIDE BROOM AXLE SHAFT	1
11	650-4630	SIDE BROOM AXLE BRACKET (LHI)	1
12	650-4631	SIDE BROOM AXLE BRACKET (RHI)	1
13	H-0129159	JNYL, 1/2"-13, 18-8 SS	1
14	H-0156777	1/2" X 4" CLEVIS PIN	1
15	H-33376	SHAFT COLLAR, 3/4" ID X 9/16 LG	2
16	H-70211	HCS 1/2"-13 X 2.0" SS	1
17	H-70860	NYLOK 1/4" - 20 SS	4
18	H-70861	NYLOK 5/16" - 18 SS	2
19	H-71021	FW 1/2 ID X 1-1/4 OD SS	2
20	H-72706	FHP 1/4" - 20 X 5/8" SS	2
21	H-73753	BHSCS 1/4 - 20 X 5/8" SS	4
22	H-74401	CB 5/16" - 18 X 1-3/4" SS	2
23	H-74421	CB 1/4" - 20 X 1-1/4" SS	4

Front Wheel, Side Brooms, and Side Rollers



Front Wheel, Side Brooms, and Side Rollers

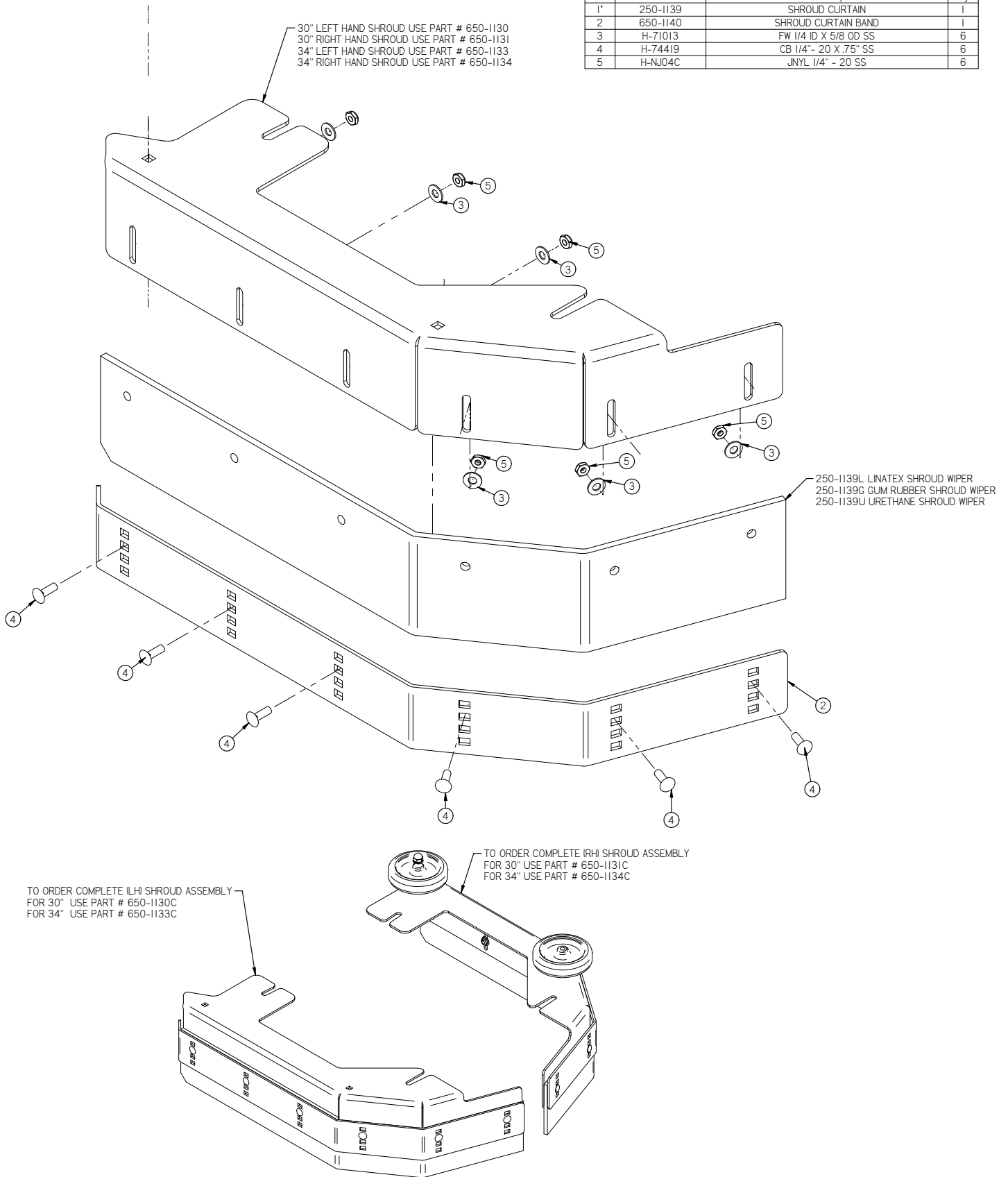
Item	Part No.	Part Description	Qty.
1	150-1006	LIFTING BRACKET	1
2	21-1126	ROLLER BRACKET	2
3	21-1127	ROLLER	8
4	4-457	ADJUSTMENT KNOB	2
5	500-1028	LOWER ROLLER BRACKET	2
6	500-2910	HEAD LIGHT	2
7	650-1100	MAIN FRAME	1
8	H-00918	HCN 1/4"-20 LG	8
9	H-01205	SHCS 5/16-18 X 2-1/2 SS	2
10	H-0127294	3/4" LOOP CLAMP	1
11	H-0129159	JNYL, 1/2"-13, 18-8 SS	1
12	H-11319	HB 5/8"- 11 X 4"	2
13	H-11321	HB 5/8"- 11 X 4 1/2"	2
14	H-13327	HB 5/8"- 11 X 7"	2
15	H-312HCN	HCN 5/16"-18	2
16	H-37038	JNYL 5/8"- 11	2
17	H-70003	HCS 1/4"-20 X 3/4" SS	5
18	H-70211	HCS 1/2"-13 X 2.0" SS	1
19	H-70711	HN 5/16"- 18 SS	2
20	H-70860	NYLOK 1/4"- 20 SS	5
21	H-70861	NYLOK 5/16"- 18 SS	5
22	H-70866	NYL 5/8"- 11	4
23	H-70925	KN 1/4-20 S/S	1
24	H-71013	FW 1/4 ID X 5/8 OD SS	4
25	H-71015	FW 5/16 ID X 3/4 OD SS	4
26	H-71063	LW 1/4" SS	4
27	H-71065	LW 5/16" SS	6
28	H-74419	CB 1/4"- 20 X .75" SS	5
29	H-74420	CB 1/4"- 20 X 1.0" SS	2
30	H-74430	CB 5/16"- 18 X 1" SS	10
31	M-9267K47	15/16" HEX CAP	2

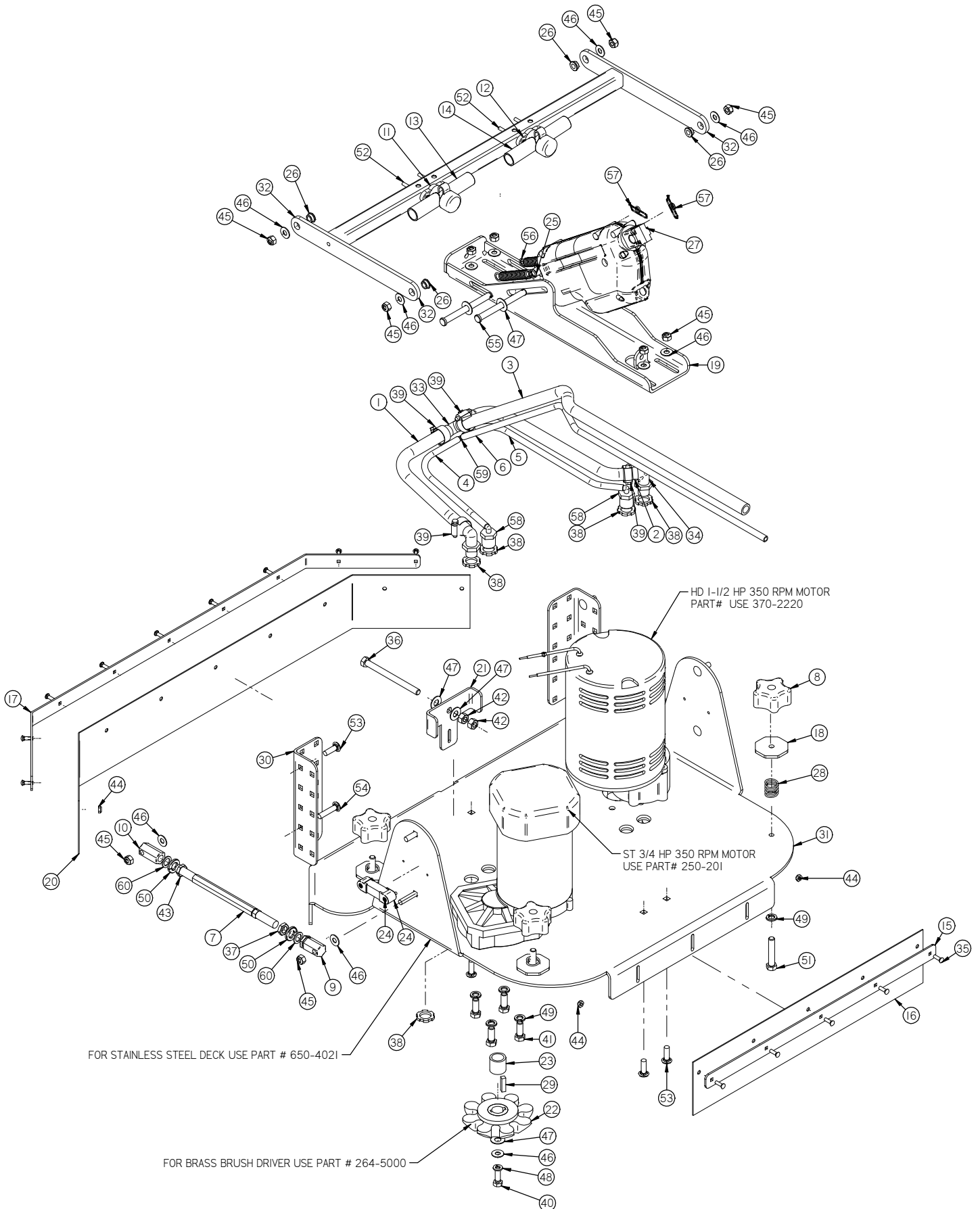


Item	Part No.	Part Description	Qty.
1	H-70861	NYLOK 5/16" - 18 SS	8
2	H-74430	CB 5/16" - 18 X 1" SS	8

Disk Shrouds

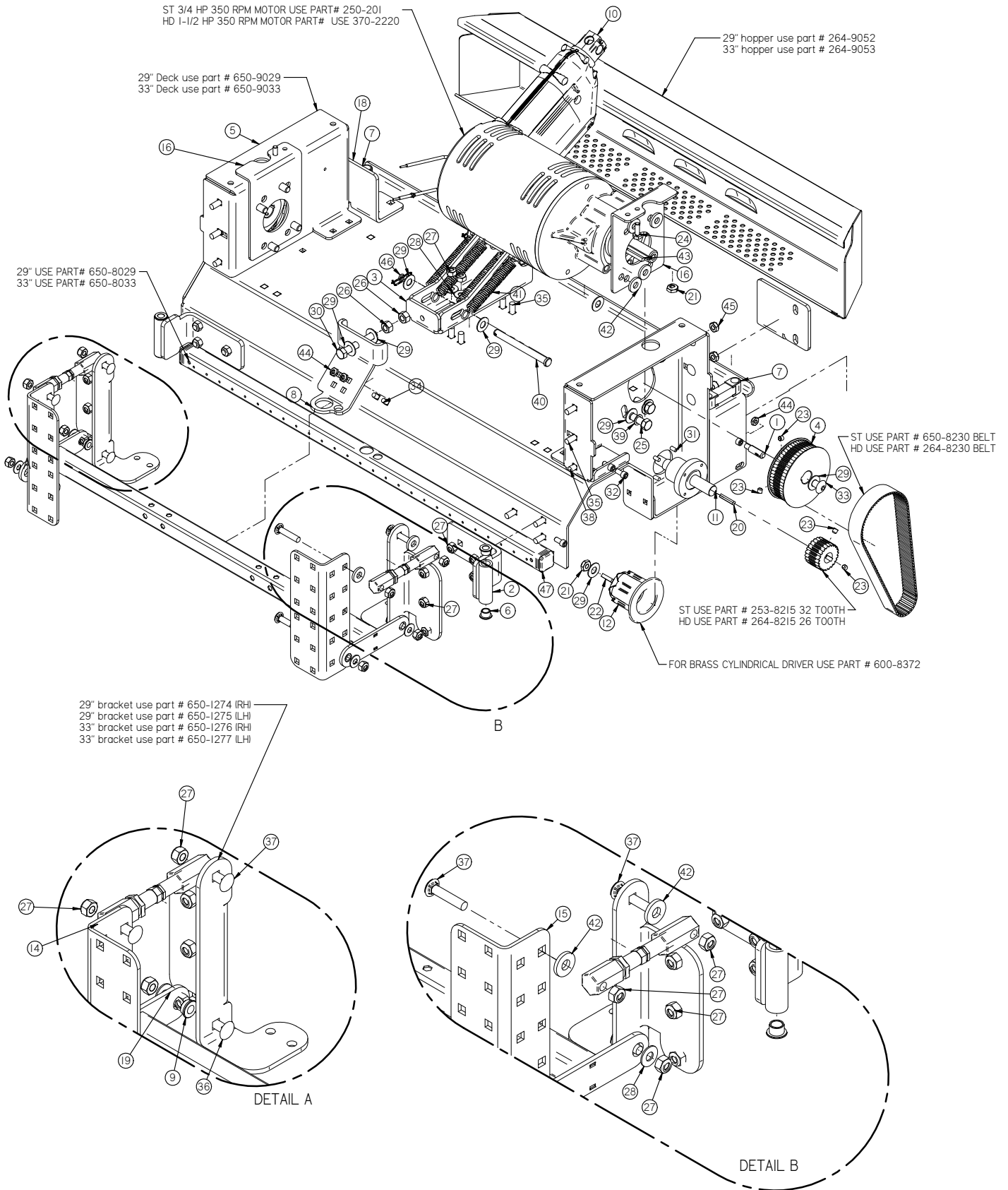
Item	Part No.	Part Description	Qty.
1	250-1139	SHROUD CURTAIN	1
2	650-1140	SHROUD CURTAIN BAND	1
3	H-71013	FW 1/4 ID X 5/8 OD SS	6
4	H-74419	CB 1/4" - 20 X .75" SS	6
5	H-NJ04C	JNYL 1/4" - 20 SS	6





Disk Decks

Item	Part No.	Part Description	Qty.
1			1
2			1
3			1
4			1
5			1
6			1
7	10-00-01	10" ADJUSTABLE LATERAL ARM BODY	2
8	150-5786	STAR KNOB, 3/8-16 THREAD	4
9	150-9583	ADJUSTABLE ROD END (LH THREAD)	2
10	150-9584	ADJUSTABLE ROD END (RH TREAD)	2
11	175-2700	NEG INSULATOR POST (BLACK)	1
12	175-2710	POS INSULATOR POST (RED)	1
13	175-2780	BLACK INSULATOR BOOT	1
14	175-2790	RED INSULATOR BOOT	1
15	250-1077	33" REAR DECK CURTAIN BAND	1
16	250-1078	25/29/33 REAR DECK CURTAIN	1
17	250-1079	33 FRONT DECK CURTAIN BAND	1
18	250-1084	SHROUD ADJUSTMENT KNOB	4
19	250-1103	DISK SCRUB DECK BRACKET	1
20	250-1310	33" FRONT DECK CURTAIN	1
21	250-4022	DISK DECK HEIGHT ADJUSTMENT	1
22	264-5003	BRUSH DRIVER ROUNDED TOOTH	2
23	264-5005	DRIVER SPACER	2
24	300-4030	LEVEL	2
25	370-1081	SLEEVE BEARING	1
26	370-1247	BUSHING 5/16 X 1/2 X 3/16	4
27	370-2210	4" STROKE 36V ACTUATOR 450 LB LOAD	1
28	4-386	LIFT LEVER SPRING	4
29	5-431	1/4" X 1" KEY	2
30	650-1265	SCRUB ARM BRACKET	2
31	650-4020	30"-34" SCRUB DECK	1
32	650-9586	DISK LATERAL ARM	1
33	7-247	5/8 " PLASTIC BARB TEE	1
34	7-248	5/8 BARB TO 1/2 NPT ELBOW	2
35	H-0172519	CB #10-32 X 5/8" SS	14
36	H-0172940	HCS 3/8"- 24 X 4.5" SS	1
37	H-0175075	LH HX JAM .50-20 SS	2
38	H-07005	1/2" NPT LOCKNUT	8
39	H-081	CLAMP 1.0"- 1-1/8" SS	5
40	H-70055	HCS 5/16"- 18 X 1" SS	2
41	H-70105	HCS 3/8"- 16 X 1" SS	8
42	H-70712	HN 3/8"-16 SS	2
43	H-70834	HX JAM .50-20 SS	2
44	H-70858	NYLOK #10-32 SS	12
45	H-70861	NYLOK 5/16" - 18 SS	12
46	H-71015	FW 5/16 ID X 3/4 OD SS	14
47	H-71017	FW 3/8 ID X 7/8 OD SS	8
48	H-71065	LW 5/16" SS	2
49	H-71067	LW 3/8" SS	12
50	H-71071	LW 1/2" SS	4
51	H-71190	HCS 3/8"- 16 X 2-1/2" SS (FULLY THREADED)	4
52	H-72556	PPH #10-32 X 2" SS	4
53	H-74430	CB 5/16"- 18 X 1" SS	8
54	H-74432	CB 5/16"- 18 X 1-1/2" SS	4
55	H-923903	3/8" X 4" CLEVIS PIN	2
56	H-96544	SPRING, 4-1/8" LG X 9/16" OD (42E)	2
57	H-RUE14	3/8" RUE RING COTTER	2
58	M-5463K494	1/2 NPT X 1/4" BARB ELBOW	2
59	M-5463K606	1/4" X 1/4" PLASTIC BARBED TEE	1
60	M-98126A739	SHIM, 1/2" ID X 3/4" OD X 1/16" THICK, S/S	4

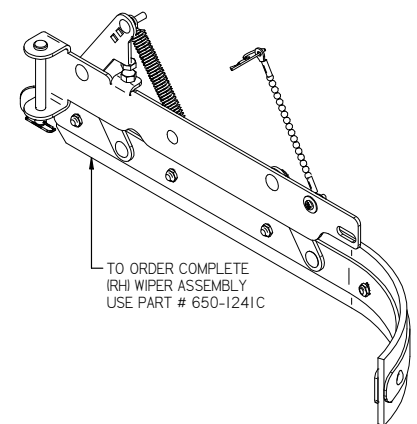
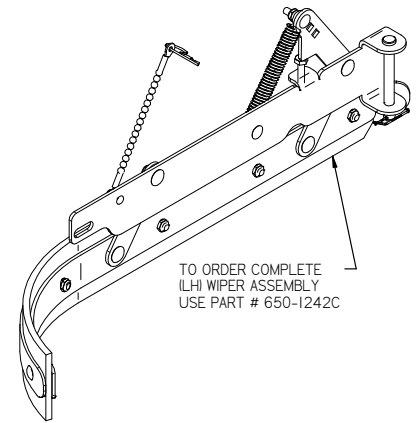
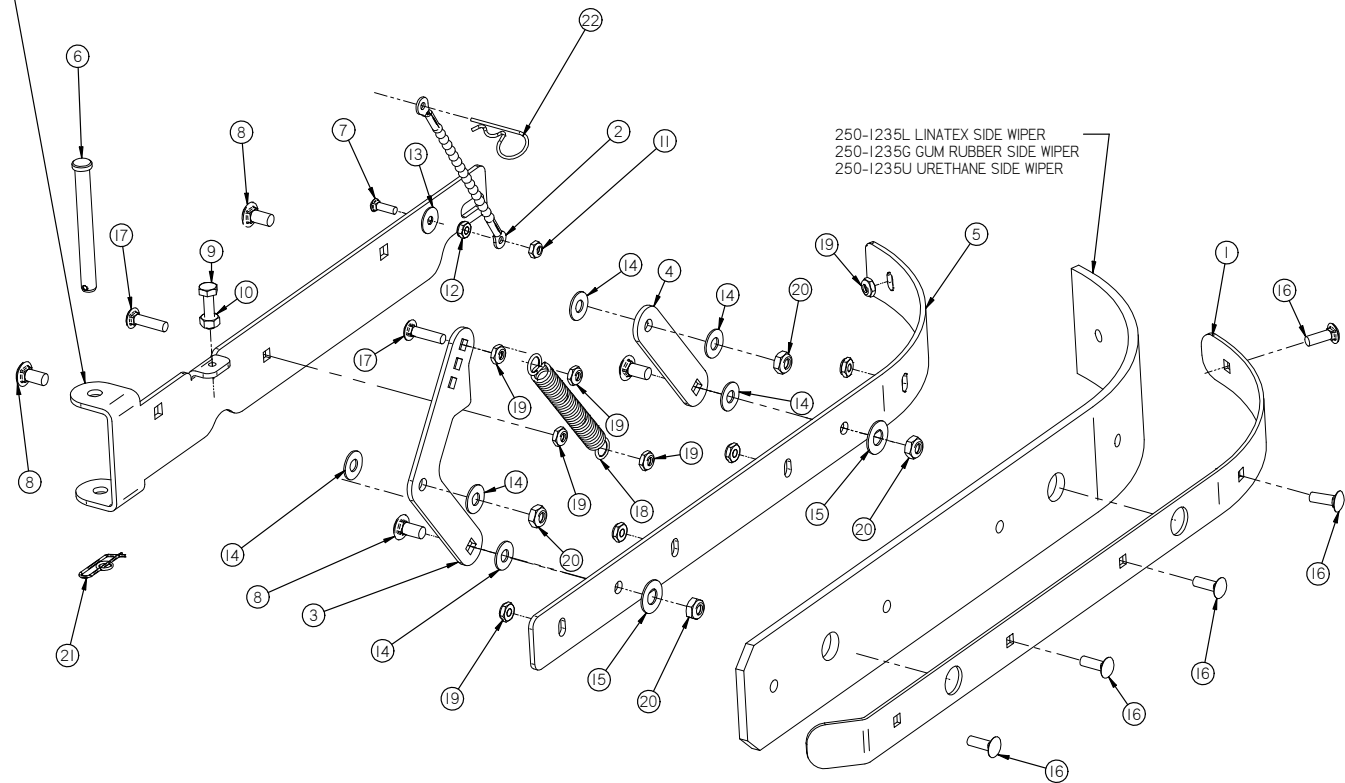


Cylindrical Decks

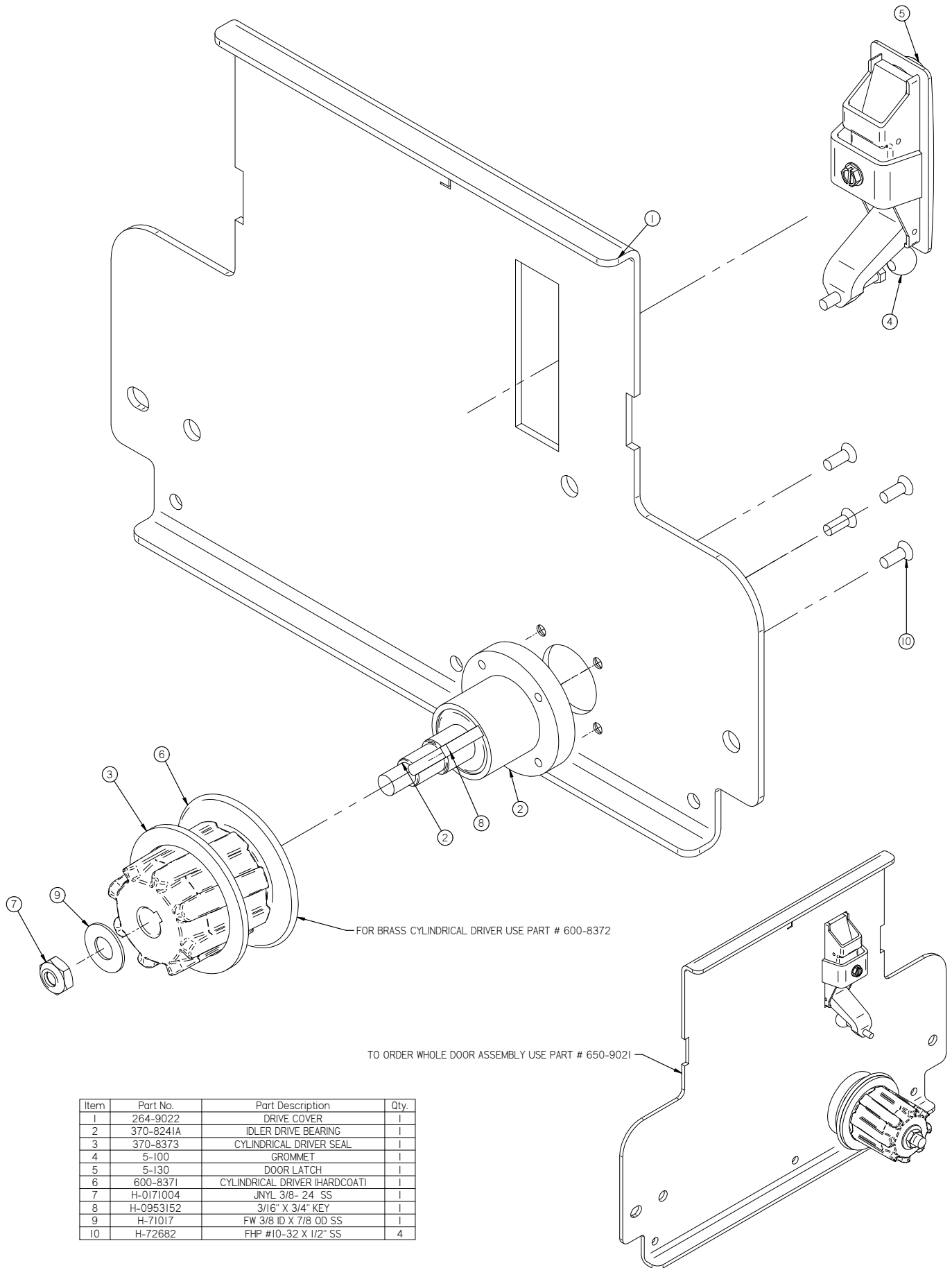
Item	Part No.	Part Description	Qty.
1	250-0001	RETAINER PIN	2
2	250-1230	SHROUD HINGE	2
3	250-9003	CYLINDRICAL LIFTING BRACKET	1
4	264-8225	TIMING SPROCKET 56 TOOTH	2
5	264-9029	CYLINDRICAL BRUSHHEAD, 29"	1
6	290-1245	3/8" ID, 1/2" OD, 3/8" LG, FLANGE BEARING	4
7	300-4030	LEVEL	2
8	370-1237	ROLLER BRACKET	1
9	370-1247	BUSHING 5/16 X 1/2 X 3/16	4
10	370-2240	2" STROKE 36V ACTUATOR 450 LB LOAD	1
11	370-8240A	BEARING HOUSING/BEARING	2
12	370-8370	BRUSH IDLER	2
13*	370-9002	MOTOR SHIELD	2
14	4-25	6.25"ADJUSTABLE LATERAL ARM	2
15	650-1265	SCRUB ARM BRACKET	2
16	650-9002	MOTOR ADJ BRACKET	2
17*	650-9072	CYL REAR SUPPORT BRACKET, LH,	1
18	650-9073	CYL REAR SUPPORT BRACKET, RH,	1
19	650-9585	CYL. LATERAL ARM	1
20	H-01125	3/16" X 1" KEY	2
21	H-0171004	JNYL 3/8- 24 SS	4
22	H-0953152	3/16" X 3/4" KEY	2
23	H-25379	SETSCREW, KCP, 1/4"-20 X 1/4"	8
24	H-70003	HCS 1/4"-20 X 3/4" SS	2
25	H-70105	HCS 3/8"- 16 X 1" SS	8
26	H-70712	HN 3/8"-16 SS	2
27	H-70861	NYLOK 5/16" - 18 SS	24
28	H-71015	FW 5/16 ID X 3/4 OD SS	14
29	H-71017	FW 3/8 ID X 7/8 OD SS	18
30	H-71190	HCS 3/8"- 16 X 2-1/2" SS (FULLY THREADED)	1
31	H-72682	FHP #10-32 X 1/2" SS	8
32	H-73459	SHCS 1/4-20 X 1/2 SS	8
33	H-73811	BHSCS 3/8"- 16 X 1/2" SS	2
34	H-74417	CB 1/4"- 20 X .5" SS	2
35	H-74429	CB 5/16"- 18 X 3/4" SS	14
36	H-74430	CB 5/16"- 18 X 1" SS	4
37	H-74432	CB 5/16"- 18 X 1-1/2" SS	4
38	H-744??	CB 5/16"- 18 X 1/2" SS	8
39	H-90895	WASHER, SERRATED BELLEVILLE, 3/8", S/S	8
40	H-923903	3/8" X 4" CLEVIS PIN	2
41	H-96544	SPRING, 4-1/8" LG, 9/16 OD, (42E)	4
42	H-98025	FW 3/8" GRADE 8	12
43	H-K14320	3/16" X 1 1/4" KEY	2
44	H-NJ04C	JNYL 1/4" - 20 SS	4
45	H-NJ05C	JNYL 5/16"- 18 SS	6
46	H-RUE14	3/8" RUE RING COTTER	2
47	M-9565K51	1.0 X 1.0 SQ TUBE PLUG	2

LH WIPER HORIZONTAL ARM USE PART # 650-1242
 RH WIPER HORIZONTAL ARM USE PART # 650-1241

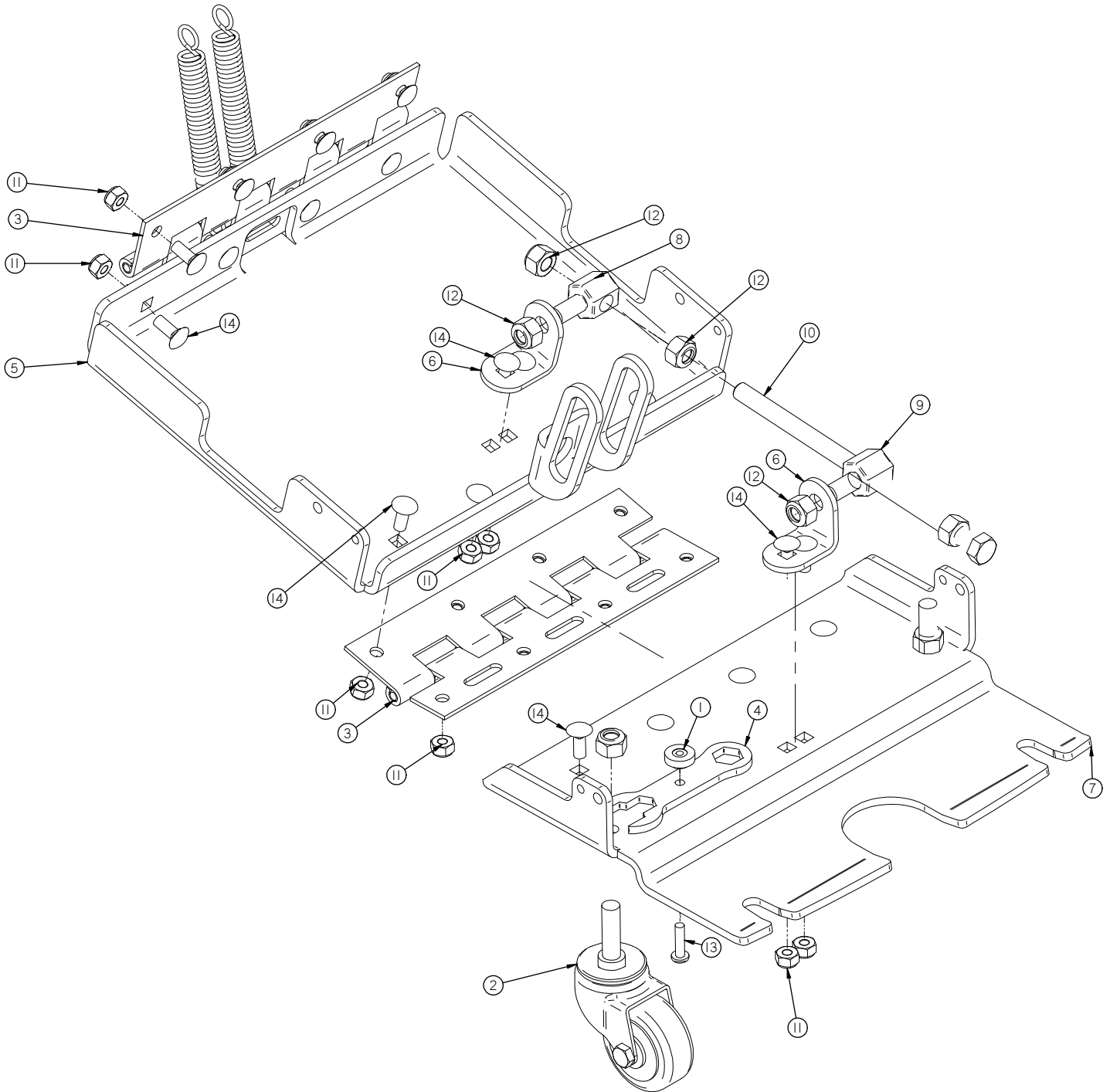
250-1235L LINATEX SIDE WIPER
 250-1235G GUM RUBBER SIDE WIPER
 250-1235U URETHANE SIDE WIPER



Item	Part No.	Part Description	Qty.
1	250-1236	WIPER BAND	1
2	370-4060	6" LANYARD	1
3	650-1243	SHROUD VERTICAL ARM	1
4	650-1244	WIPER VERTICAL ARM	1
5	650-1245	SHROUD SIDE	1
6	H-0156758	3/8" X 3-1/2" CLEVIS PIN	1
7	H-0172519	CB #10-32 X 5/8" SS	1
8	H-0172526	CB 5/16"- 18 X 5/8" SS	4
9	H-70005	HCS 1/4"- 20 X 1" SS	1
10	H-70710	HN 1/4"- 20 SS	1
11	H-70858	NYLOK #10-32 SS	1
12	H-70923	KN #10-32 SS	1
13	H-71010	FW #10 ID X 11/16 OD SS	1
14	H-71015	FW 5/16 ID X 3/4 OD SS	6
15	H-71017	FW 3/8 ID X 7/8 OD SS	2
16	H-74419	CB 1/4"- 20 X .75" SS	5
17	H-74420	CB 1/4"- 20 X 1.0" SS	2
18	H-96544	SPRING, 4-1/8" LG X 9/16" OD (42E)	1
19	H-NJ04C	JNYL 1/4" - 20 SS	9
20	H-NJ05C	JNYL 5/16"- 18 SS	4
21	H-RUE14	3/8" RUE RING COTTER	1
22	M-92391A044	HAIRPIN, 5/16" - 3/8" X 1-7/16" S/S	1

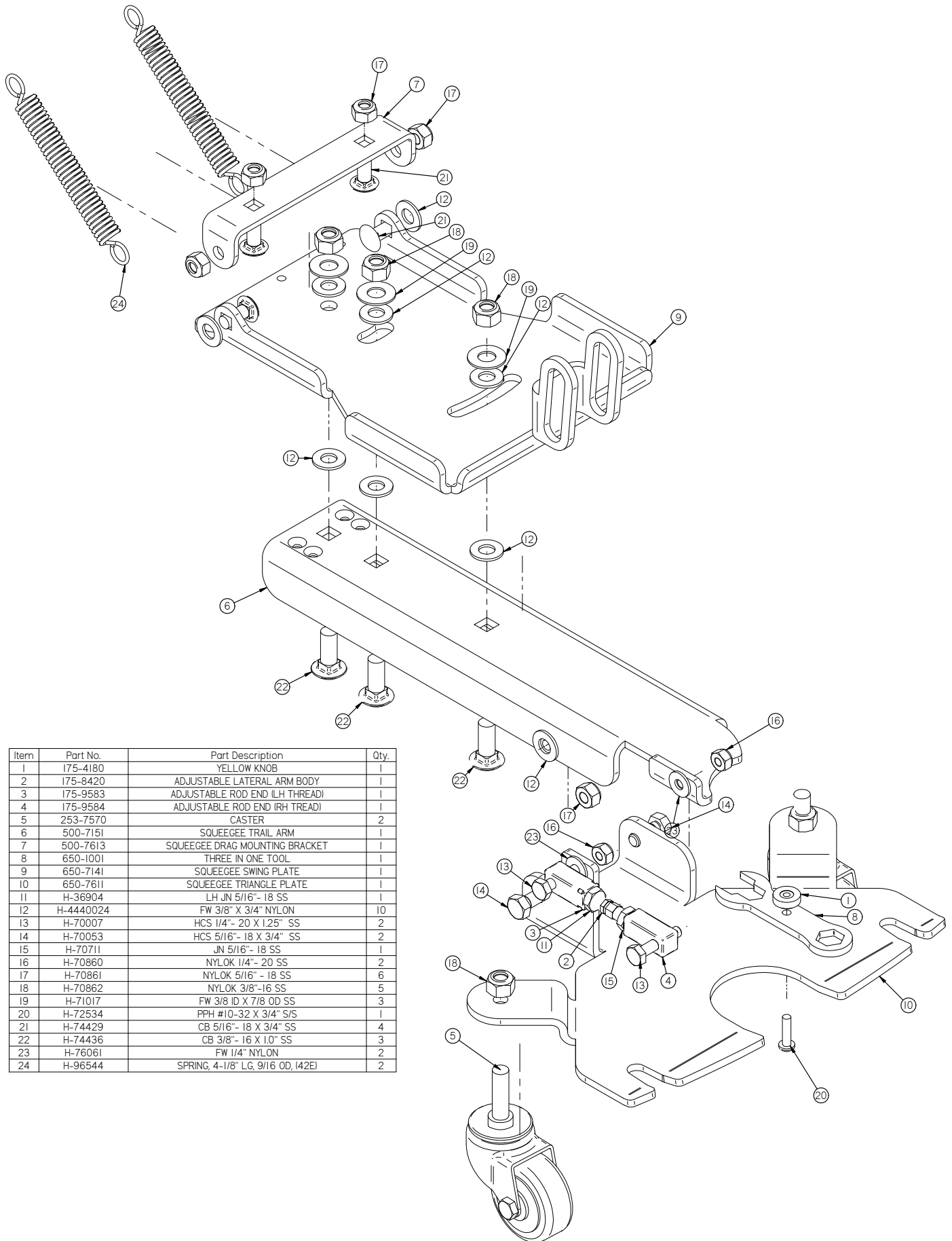


Item	Part No.	Part Description	Qty.
1	264-9022	DRIVE COVER	1
2	370-8241A	IDLER DRIVE BEARING	1
3	370-8373	CYLINDRICAL DRIVER SEAL	1
4	5-100	GROMMET	1
5	5-130	DOOR LATCH	1
6	600-8371	CYLINDRICAL DRIVER (HARDCOAT)	1
7	H-0171004	JNYL 3/8- 24 SS	1
8	H-0953152	3/16" X 3/4" KEY	1
9	H-71017	FW 3/8 ID X 7/8 OD SS	1
10	H-72682	FHP #10-32 X 1/2" SS	4

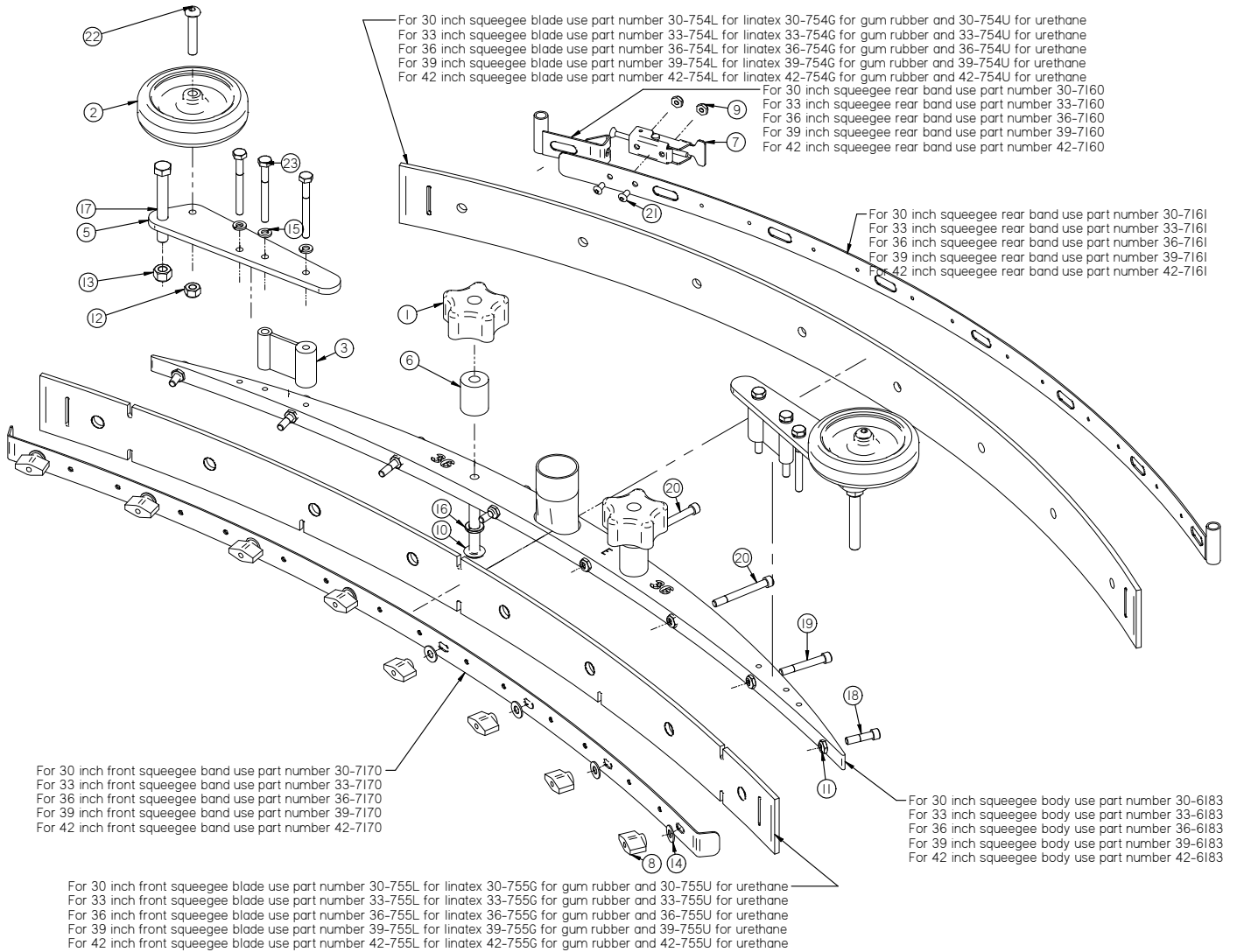


Item	Part No.	Part Description	Qty.
1	175-4180	YELLOW KNOB	1
2	253-7570	CASTER	2
3	5-122	8" SS HINGE	2
4	650-1001	THREE IN ONE TOOL	1
5	650-7143	SQUEEGEE LIFT PLATE	1
6	650-7608	SQUEEGEE ADJ. BRACKET	2
7	650-7609	SQUEEGEE TRIANGLE PLATE	1
8	650-9583	ADJUSTABLE ROD END ANCHOR	1
9	650-9584	THREADED ADJUSTABLE ROD END	1
10	H-0172941	HCS 3/8"- 16 X 5" FULL THREAD SS	1
11	H-70860	NYLOK 1/4"- 20 SS	17
12	H-70862	NYLOK 3/8"-16 SS	7
13	H-72534	PPH #10-32 X 3/4" S/S	1
14	H-74418	CB 1/4"- 20 X 5/8" S/S	20
15	H-96544	SPRING, 4-1/8" LG, 9/16 OD, (42E)	2

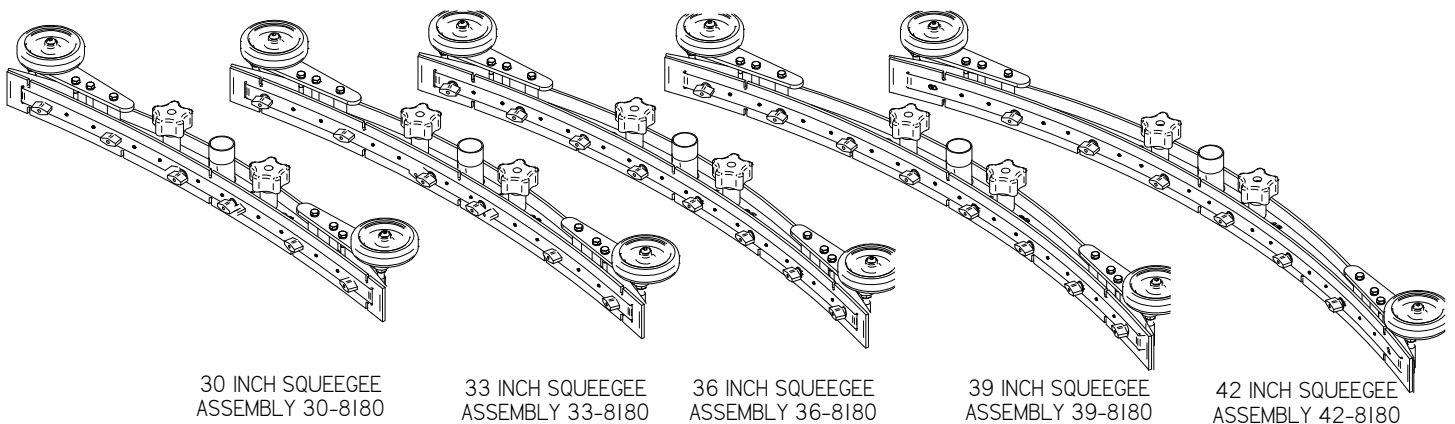
Squeegee Trail Arm - Pivot (Optional)



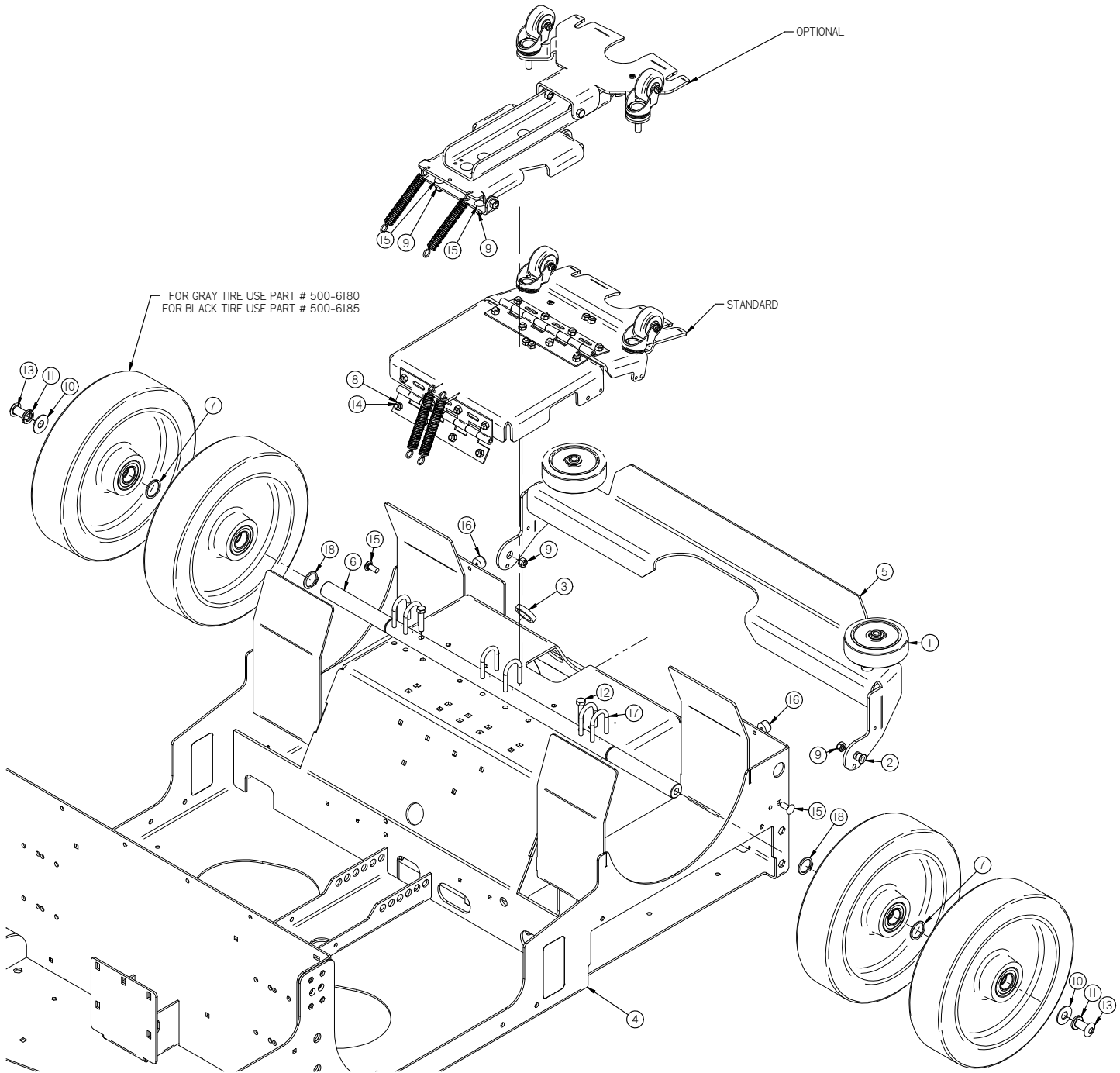
Item	Part No.	Part Description	Qty.
1	175-4180	YELLOW KNOB	1
2	175-8420	ADJUSTABLE LATERAL ARM BODY	1
3	175-9583	ADJUSTABLE ROD END (LH THREAD)	1
4	175-9584	ADJUSTABLE ROD END (RH TREAD)	1
5	253-7570	CASTER	2
6	500-7151	SQUEEGEE TRAIL ARM	1
7	500-7613	SQUEEGEE DRAG MOUNTING BRACKET	1
8	650-1001	THREE IN ONE TOOL	1
9	650-7141	SQUEEGEE SWING PLATE	1
10	650-7611	SQUEEGEE TRIANGLE PLATE	1
11	H-36904	LH JN 5/16" - 18 SS	1
12	H-4440024	FW 3/8" X 3/4" NYLON	10
13	H-70007	HCS 1/4" - 20 X 1.25" SS	2
14	H-70053	HCS 5/16" - 18 X 3/4" SS	2
15	H-70711	JN 5/16" - 18 SS	1
16	H-70860	NYLOK 1/4" - 20 SS	2
17	H-70861	NYLOK 5/16" - 18 SS	6
18	H-70862	NYLOK 3/8" - 16 SS	5
19	H-71017	FW 3/8 ID X 7/8 OD SS	3
20	H-72534	PPH #10-32 X 3/4" S/S	1
21	H-74429	CB 5/16" - 18 X 3/4" SS	4
22	H-74436	CB 3/8" - 16 X 1.0" SS	3
23	H-76061	FW 1/4" NYLON	2
24	H-96544	SPRING, 4-1/8" LG, 9/16 OD, [42E]	2



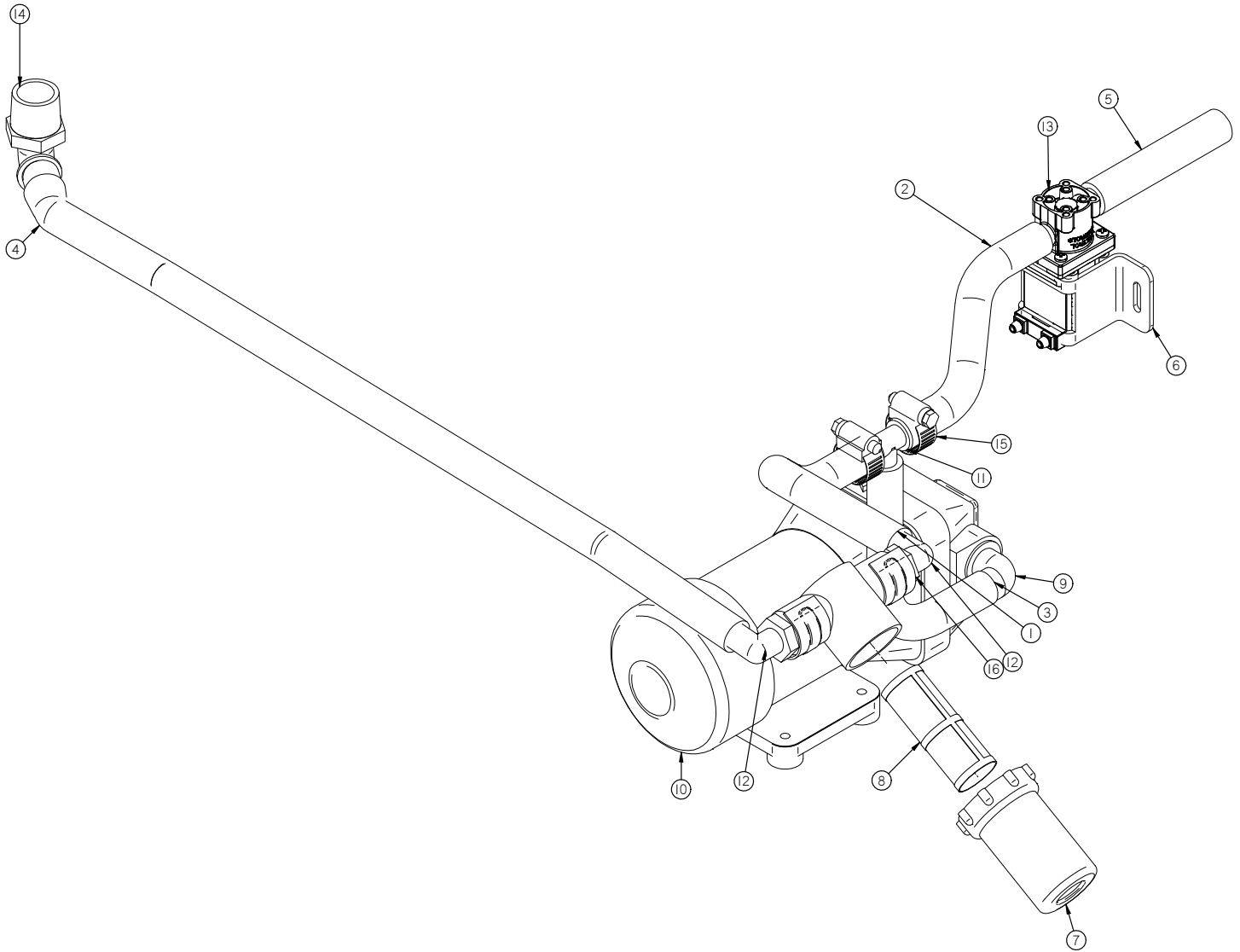
Item	Part No.	Part Description	Qty.	Item	Part No.	Part Description	Qty.
1	150-5786	STAR KNOB, 3/8-16 THREAD	2	13	H-70862	NYLOK 3/8"-16 SS	2
2	150-7600	4" SIDE WHEEL (GREY)	2	14	H-71013	FW 1/4 ID X 5/8 OD SS	8
3	36-0007	BAND BRACKET HOLDER	2	15	H-71063	LW 1/4" SS	6
4	36-2211	SPACER 1/2 OD X 5/32" LG X.25 ID	6	16	H-71067	LW 3/8" SS	2
5	36-7194	SQUEEGE BRACKET	2	17	H-71191	HCS 3/8" - 16 X 3" SS	2
6	36-8460	STANDOFF, 1.5"	2	18	H-73462	SHCS 1/4-20 X 1.0 SS	2
7	370-0124	LATCH	1	19	H-73465	SHCS 1/4-20 X 1.75 SS	2
8	5-418A	CLAMPING KNOB	8	20	H-73467	SHCS 1/4-20 X 2.25 SS	4
9	H-0129155	JNYL #10-32, 18-8 S/S	2	21	H-73742	BHSCS 10-32 X 3/8" SS	2
10	H-0171299	BHSCS 3/8"- 16 X 3" SS	2	22	H-73783	BHSCS 5/16-18 X 1.75	2
11	H-37020	JNYL 1/4" - 20	8	23	H-77013	HCS 1/4"- 20 X 2.5" SS	6
12	H-70861	NYLOK 5/16" - 18 SS	2				



Attaching Squeegee Trail Arm, Bumper, & Axle

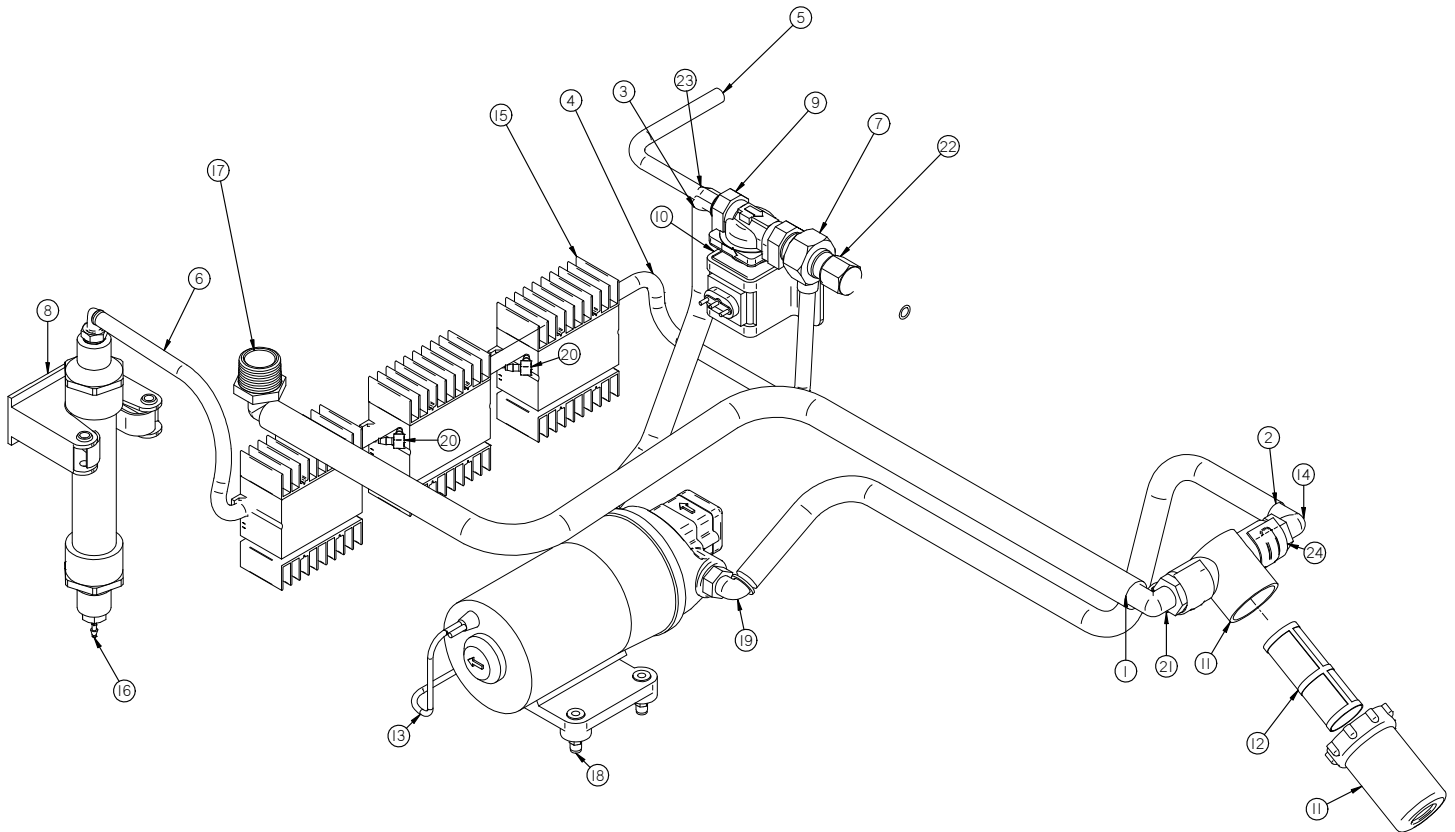


Item	Part No.	Part Description	Qty.
1	I90-3030	4.0" WHEEL (GRAY)	2
2	370-1245	BUSHING	2
3	370-2930	ALARM (91 dPa)	1
4	650-1100	MAIN FRAME	1
5	650-1107	SWING AWAY BUMPER/STEP	1
6	650-1271	AXLE	1
7	H-06596	FW 1.0" ID X 1-1/4" OD NYLON	2
8	H-70860	NYLOK 1/4" - 20 SS	6
9	H-70861	NYLOK 5/16" - 18 SS	8
10	H-71021	FW 1/2 ID X 1-1/4 OD SS	2
11	H-71071	LW 1/2" SS	2
12	H-71180	HCS 5/16" - 18 X 1-1/2" FULLY THREADED	2
13	H-73834	BHSCS 1/2- 13 X 1" SS	2
14	H-74418	CB 1/4" - 20 X 5/8" S/S	4
15	H-74429	CB 5/16" - 18 X 3/4" S/S	4
16	H-9540	RUBBER BUMPER, 25/32"	2
17	M-3043T13	1/4-20 X 1.0" U-BOLT	6
18	M-9858A121	1 INCH EXTERNAL RETAINING RING	2



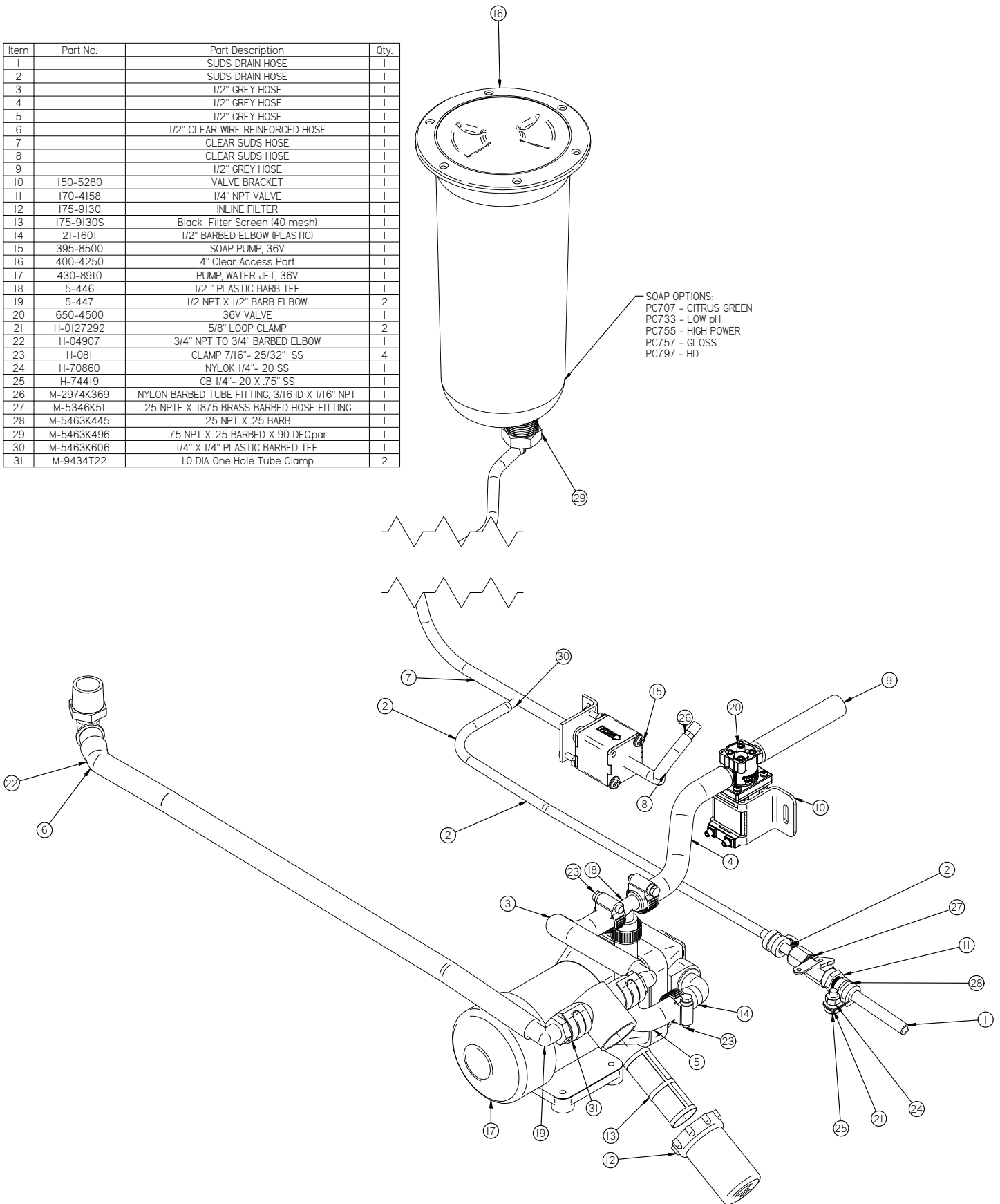
Item	Part No.	Part Description	Qty.
1		1/2" GREY HOSE	1
2		1/2" GREY HOSE	1
3		1/2" GREY HOSE	1
4		1/2" CLEAR WIRE REINFORCED HOSE	1
5		1/2" GREY HOSE	1
6	150-5280	VALVE BRACKET	1
7	175-9130	INLINE FILTER	1
8	175-9130S	Black Filter Screen (40 mesh)	1
9	21-1601	1/2" BARBED ELBOW (PLASTIC)	1
10	430-8910	PUMP, WATER JET, 36V	1
11	5-446	1/2" PLASTIC BARB TEE	1
12	5-447	1/2 NPT X 1/2" BARB ELBOW	2
13	650-4500	36V VALVE	1
14	H-04907	3/4" NPT TO 3/4" BARBED ELBOW	1
15	H-081	CLAMP 7/16"- 25/32" SS	2
16	M-9434T22	1.0 DIA One Hole Tube Clamp	2

ZERO3 System

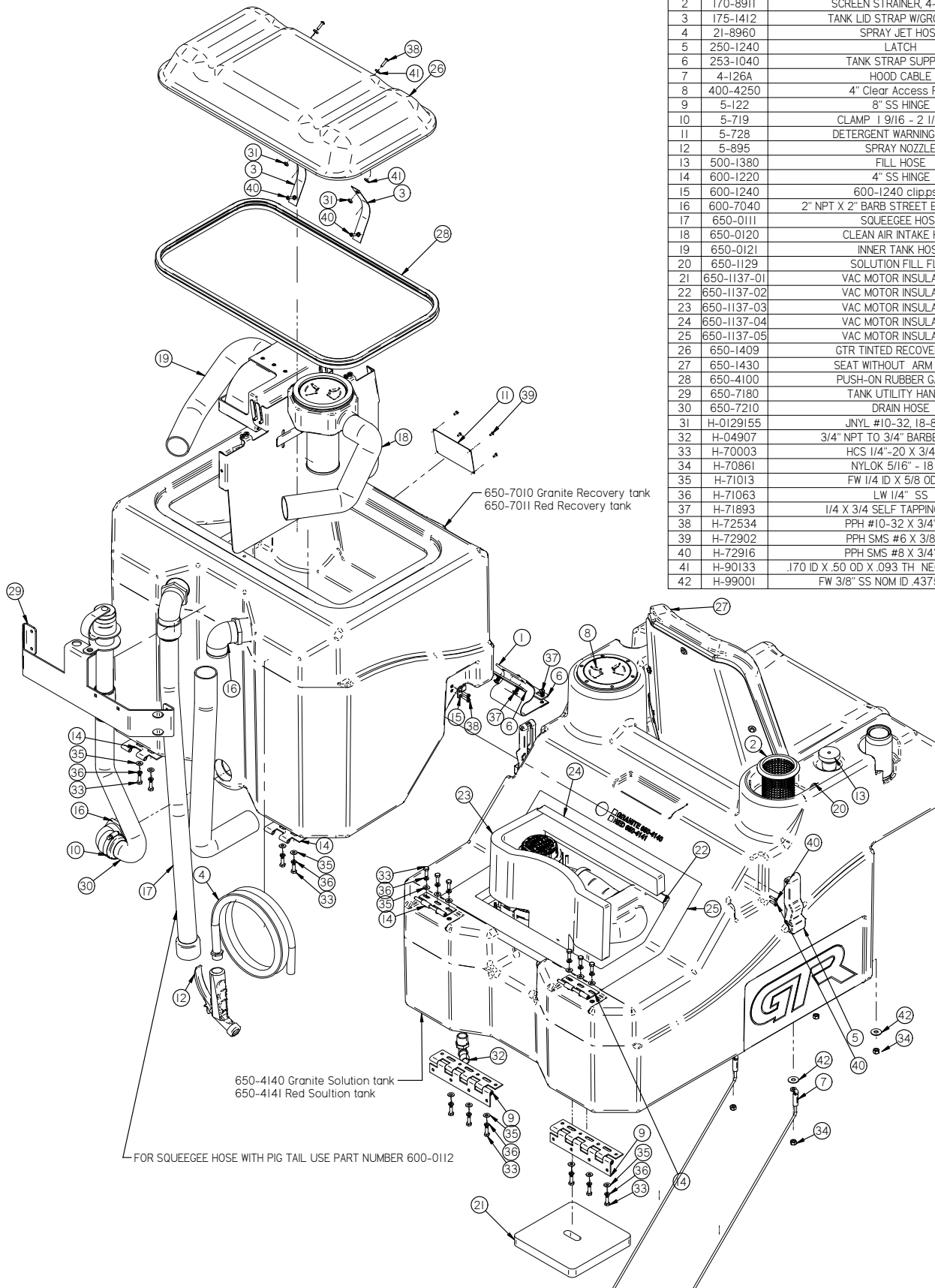


Item	Part No.	Part Description	Qty.
1		1/2" GREEN HOSE	1
2		1/2" GREEN HOSE	1
3		CLEAR ZERO HOSE	1
4		CLEAR ZERO HOSE	1
5		BLUE ZERO HOSE	1
6		CLEAR HOSE	1
7	123-8510	RED INJECTOR	1
8	123-8860	HOSE BRACKET HOLDER	1
9	123-9500	36V VALVE	1
10	150-5280	VALVE BRACKET	1
11	175-9130	INLINE FILTER	1
12	175-9135S	Blue Filter Screen (50 mesh)	1
13	370-8910	PUMP, WATER JET 36V	1
14	5-447	1/2 NPT X 1/2" BARB ELBOW	2
15	650-2334	CORONA GENERATOR	3
16	650-9134	AIR DRYER	1
17	?	ELBOW, NYLON, 3/4" MALE NPT X 1/2" BARB	1
18	H-02309	HCN #10-32, LG CRIMP	2
19	H-04763	ELBOW, 90 DEG X 3/8" MNPT X 1/2" BARB, NYLON	2
20	H-06584	.125 X .125 BARBED 90 DEG ELBOW	2
21	H-74418	CB 1/4"- 20 X 5/8" S/S	1
22	M-5346K52	.375 NPT X .25 BRASS BARBED HOSE FITTING	1
23	M-53525K18	.375 NPT X 3/75 BRASS BARBED ELBOW	1
24	M-9434T22	1.0 DIA One Hole Tube Clamp	2

Item	Part No.	Part Description	Qty.
1		SUDS DRAIN HOSE	1
2		SUDS DRAIN HOSE	1
3		1/2" GREY HOSE	1
4		1/2" GREY HOSE	1
5		1/2" GREY HOSE	1
6		1/2" CLEAR WIRE REINFORCED HOSE	1
7		CLEAR SUDS HOSE	1
8		CLEAR SUDS HOSE	1
9		1/2" GREY HOSE	1
10	150-5280	VALVE BRACKET	1
11	170-4158	1/4" NPT VALVE	1
12	175-9130	INLINE FILTER	1
13	175-9130S	Black Filter Screen (40 mesh)	1
14	21-1601	1/2" BARBED ELBOW (PLASTIC)	1
15	395-8500	SOAP PUMP, 36V	1
16	400-4250	4" Clear Access Port	1
17	430-8910	PUMP, WATER JET, 36V	1
18	5-446	1/2" PLASTIC BARB TEE	1
19	5-447	1/2" NPT X 1/2" BARB ELBOW	2
20	650-4500	36V VALVE	1
21	H-0127292	5/8" LOOP CLAMP	2
22	H-04907	3/4" NPT TO 3/4" BARBED ELBOW	1
23	H-081	CLAMP 7/16" - 25/32" SS	4
24	H-70860	NYLON 1/4" - 20 SS	1
25	H-74419	CB 1/4" - 20 X .75" SS	1
26	M-2974K369	NYLON BARBED TUBE FITTING, 3/16 ID X 1/16" NPT	1
27	M-5346K51	.25 NPTF X .1875 BRASS BARBED HOSE FITTING	1
28	M-5463K445	.25 NPT X .25 BARB	1
29	M-5463K496	.75 NPT X .25 BARBED X 90 DEG.par	1
30	M-5463K606	1/4" X 1/4" PLASTIC BARBED TEE	1
31	M-9434T22	1.0 DIA One Hole Tube Clamp	2

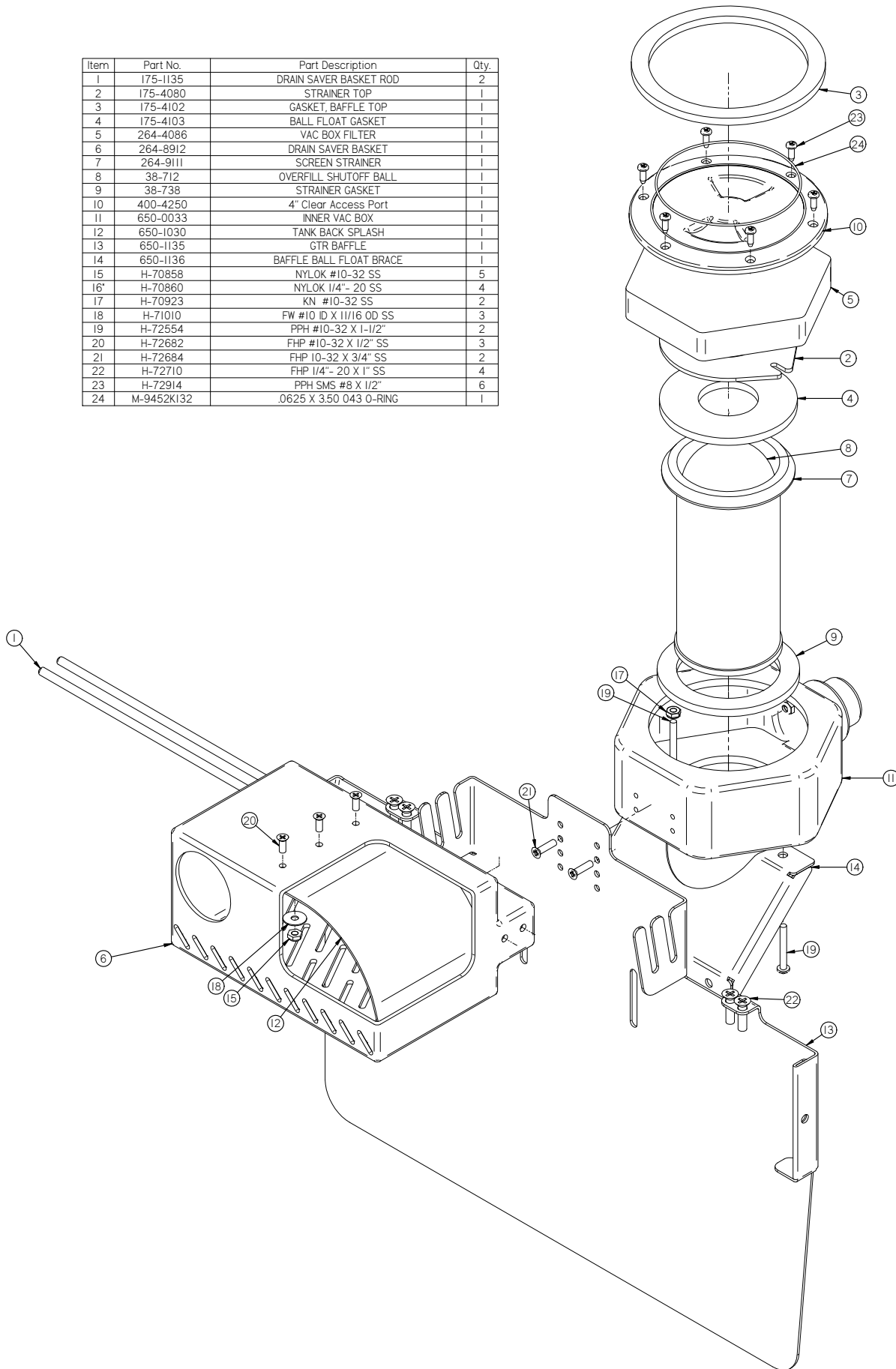


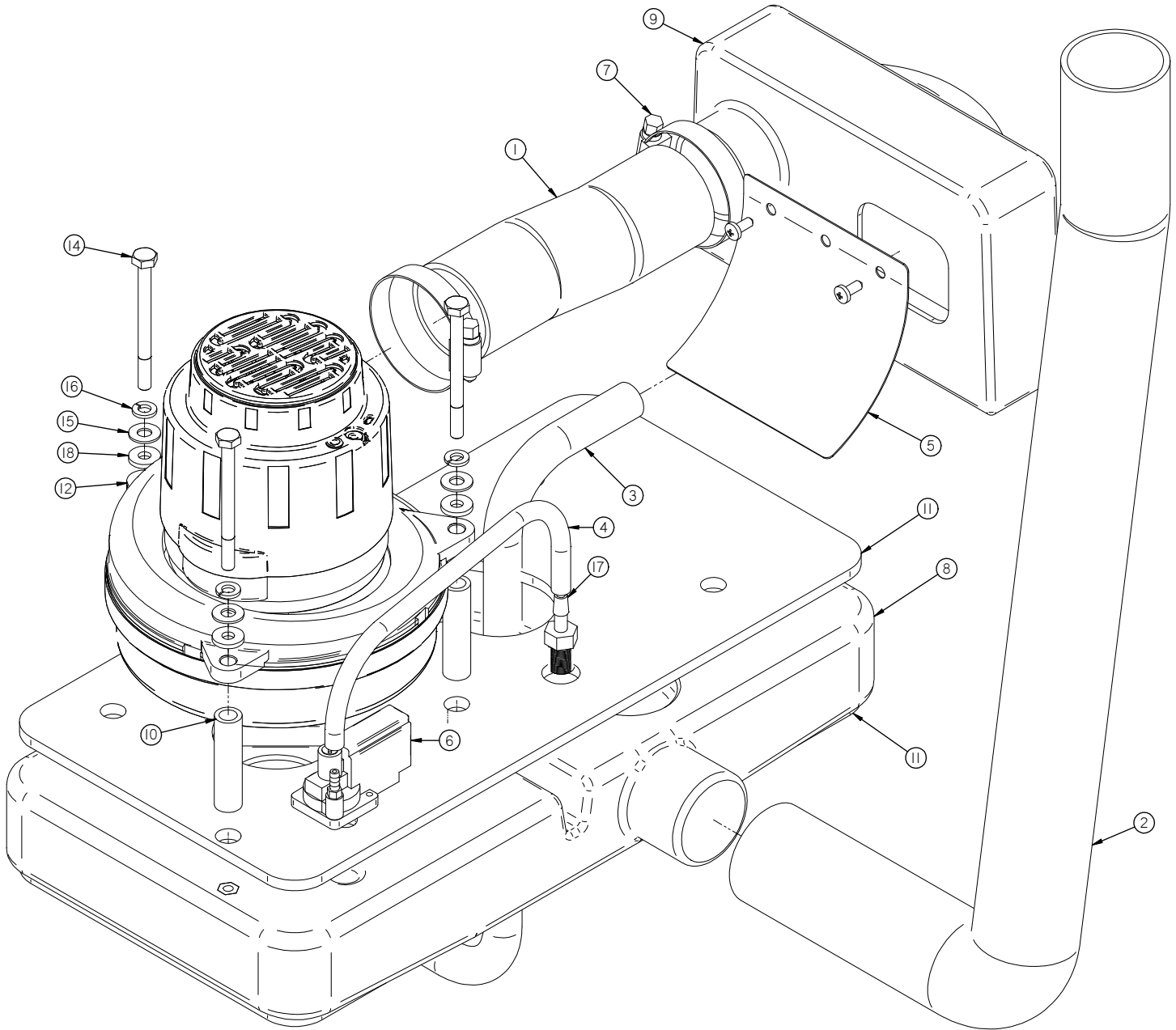
Solution & Recovery Tank



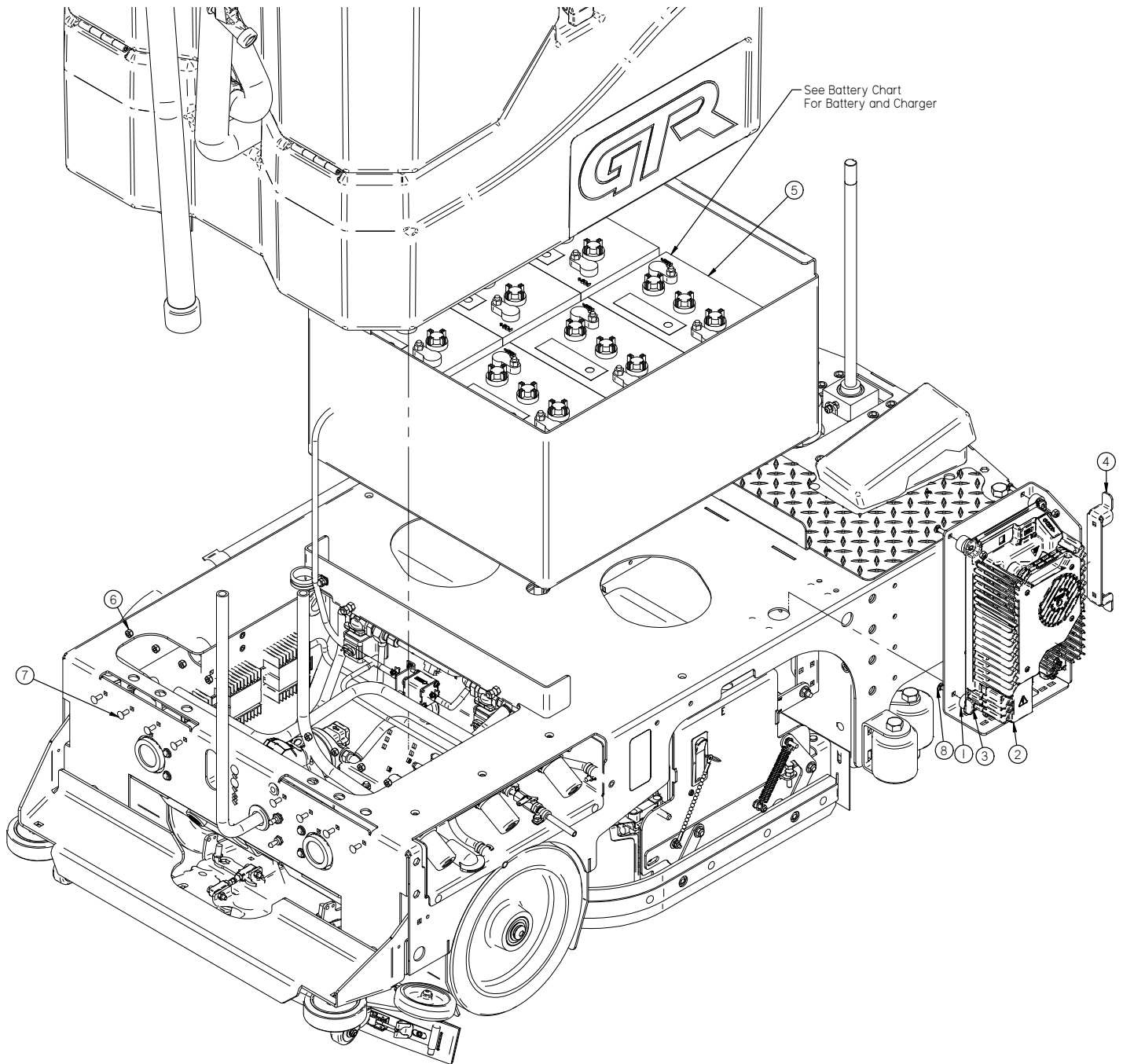
Item	Part No.	Part Description	Qty.
1	170-1045	TANK STRAP, 22" LG X 4" WIDE	1
2	170-8911	SCREEN STRAINER, 4-1/4" LG	1
3	175-1412	TANK LID STRAP W/GROMMETS	2
4	21-8960	SPRAY JET HOSE	1
5	250-1240	LATCH	2
6	253-1040	TANK STRAP SUPPORT	2
7	4-126A	HOOD CABLE	2
8	400-4250	4" Clear Access Port	1
9	5-122	8" SS HINGE	2
10	5-719	CLAMP 1 9/16 - 2 1/2" SS	1
11	5-728	DETERGENT WARNING PLATE	1
12	5-895	SPRAY NOZZLE	1
13	500-1380	FILL HOSE	1
14	600-1220	4" SS HINGE	2
15	600-1240	600-1240 clip,psm	2
16	600-7040	2" NPT X 2" BARB STREET ELBOW, BLACK	3
17	650-0111	SQUEEGEE HOSE	1
18	650-0120	CLEAN AIR INTAKE HOSE	1
19	650-0121	INNER TANK HOSE	1
20	650-1129	SOLUTION FILL FLAP	1
21	650-1137-01	VAC MOTOR INSULATION	1
22	650-1137-02	VAC MOTOR INSULATION	1
23	650-1137-03	VAC MOTOR INSULATION	1
24	650-1137-04	VAC MOTOR INSULATION	1
25	650-1137-05	VAC MOTOR INSULATION	1
26	650-1409	GTR TINTED RECOVERY LID	1
27	650-1430	SEAT WITHOUT ARM RESTS	1
28	650-4100	PUSH-ON RUBBER GASKET	1
29	650-7180	TANK UTILITY HANDLE	1
30	650-7210	DRAIN HOSE	1
31	H-0129155	JNYL #10-32, 18-8 S/S	2
32	H-04907	3/4" NPT TO 3/4" BARBED ELBOW	1
33	H-70003	HCS 1/4"-20 X 3/4" SS	16
34	H-70861	NYLOK 5/16" - 18 SS	4
35	H-71013	FW 1/4 ID X 5/8 OD SS	16
36	H-71063	LW 1/4" SS	16
37	H-71893	1/4 X 3/4 SELF TAPPING SCREW	4
38	H-72534	PPH #10-32 X 3/4" S/S	6
39	H-72902	PPH SMS #6 X 3/8" SS	4
40	H-72916	PPH SMS #8 X 3/4" SS	6
41	H-90133	.170 ID X .50 OD X .093 TH NEOPRENE WASHER	4
42	H-99001	FW 3/8" SS NOM ID .4375 X OD 1.0	4

Item	Part No.	Part Description	Qty.
1	175-1135	DRAIN SAVER BASKET ROD	2
2	175-4080	STRAINER TOP	1
3	175-4102	GASKET, BAFFLE TOP	1
4	175-4103	BALL FLOAT GASKET	1
5	264-4086	VAC BOX FILTER	1
6	264-8912	DRAIN SAVER BASKET	1
7	264-9111	SCREEN STRAINER	1
8	38-712	OVERFILL SHUTOFF BALL	1
9	38-738	STRAINER GASKET	1
10	400-4250	4" Clear Access Port	1
11	650-0033	INNER VAC BOX	1
12	650-1030	TANK BACK SPLASH	1
13	650-1135	GTR BAFFLE	1
14	650-1136	BAFFLE BALL FLOAT BRACE	1
15	H-70858	NYLOK #10-32 SS	5
16	H-70860	NYLOK 1/4"- 20 SS	4
17	H-70923	KN #10-32 SS	2
18	H-71010	FW #10 ID X 11/16 OD SS	3
19	H-72554	PPH #10-32 X 1-1/2"	2
20	H-72682	FHP #10-32 X 1/2" SS	3
21	H-72684	FHP 10-32 X 3/4" SS	2
22	H-72710	FHP 1/4"- 20 X 1" SS	4
23	H-72914	PPH SMS #8 X 1/2"	6
24	M-9452KI32	.0625 X 3.50 O43 O-RING	1





Item	Part No.	Part Description	Qty.
1		2" HOSE	1
2		CLEANAIR INTAKE	1
3		VAC BOX DRAIN	1
4		VAC SWITCH HOSE	1
5	175-1029	TANK BACK SPLASH	1
6	390-2328	SWITCH, VACUUM SHUTOFF	1
7	5-719	CLAMP 1 9/16 - 2 1/2" SS	2
8	650-1146	GTR VAC BOX	1
9	650-1148	GTR VAC MUFFLER WALL	1
10	650-2600	SPACER, 2-1/8" LG	3
11	650-3001	VAC MOTOR GASKET	2
12	650-5250	36 V VAC MOTOR	1
13	H-175216	PPH SMS #10 X 1/2" SBO	2
14	H-70015	HCS 1/4"- 20 X 3.0" SS	3
15	H-71013	FW 1/4 ID X 5/8 OD SS	3
16	H-71063	LW 1/4" SS	3
17	M-5463K439	.25 NPT X .125 BARB	1
18	M-90130A029	.25" NEOPRENE WASHER	3

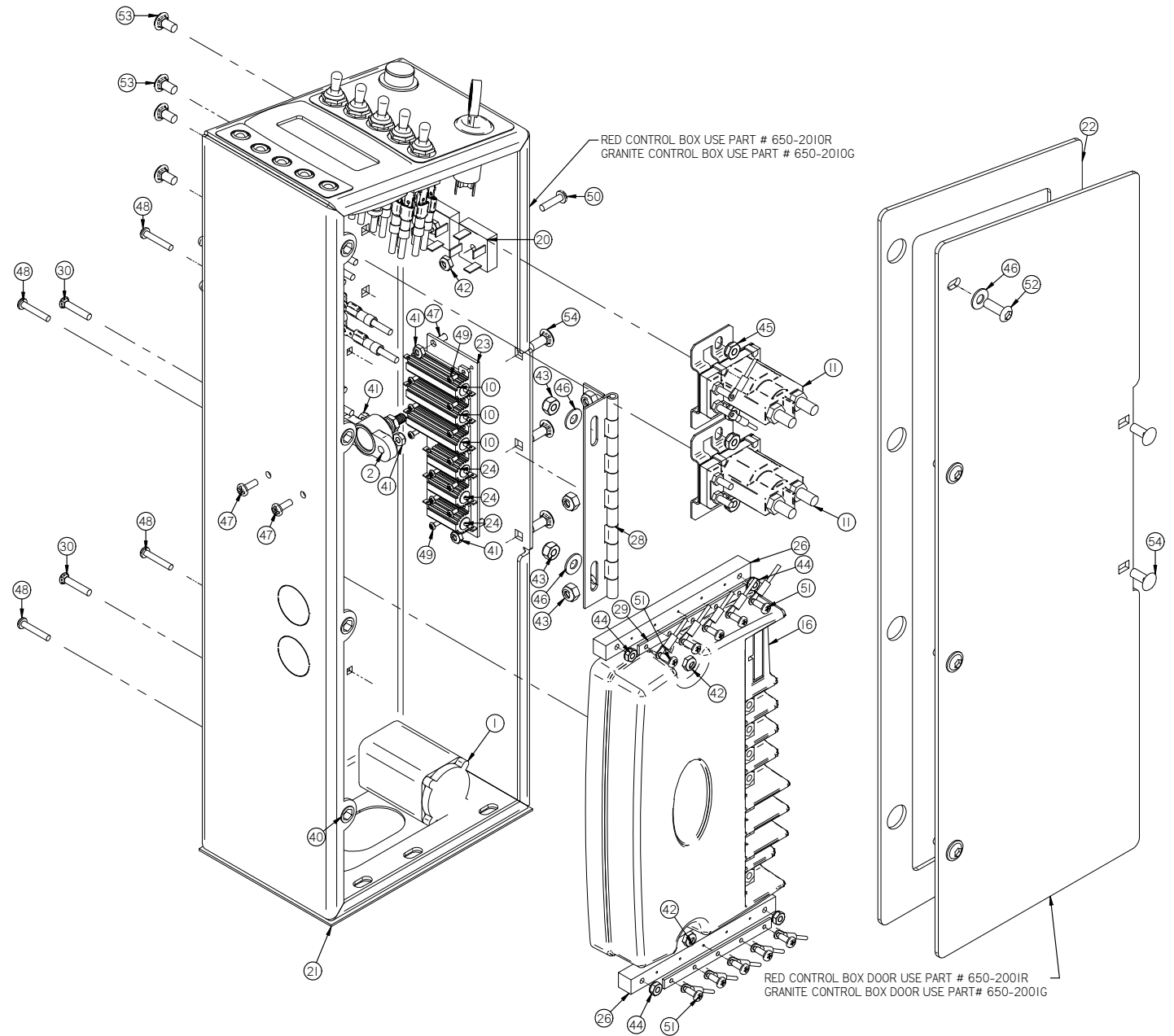


Item	Part No.	Part Description	Qty.
1	650-0103	1X1/2X1/4-20 (55DI) FEMALE ISOLATOR	3
2	650-2440	ON BOARD CHARGER 1200-36V	1
3	650-2451	CHARGER MOUNT	1
4	650-4042	CORD WRAP	1
5	7-210	(6) J305G BATTERIES	1
6	H-70860	NYLOK 1/4"- 20 SS	12
7	H-74418	CB 1/4"- 20 X 5/8" S/S	8
8	H-74420	CB 1/4"- 20 X 1.0" SS	8

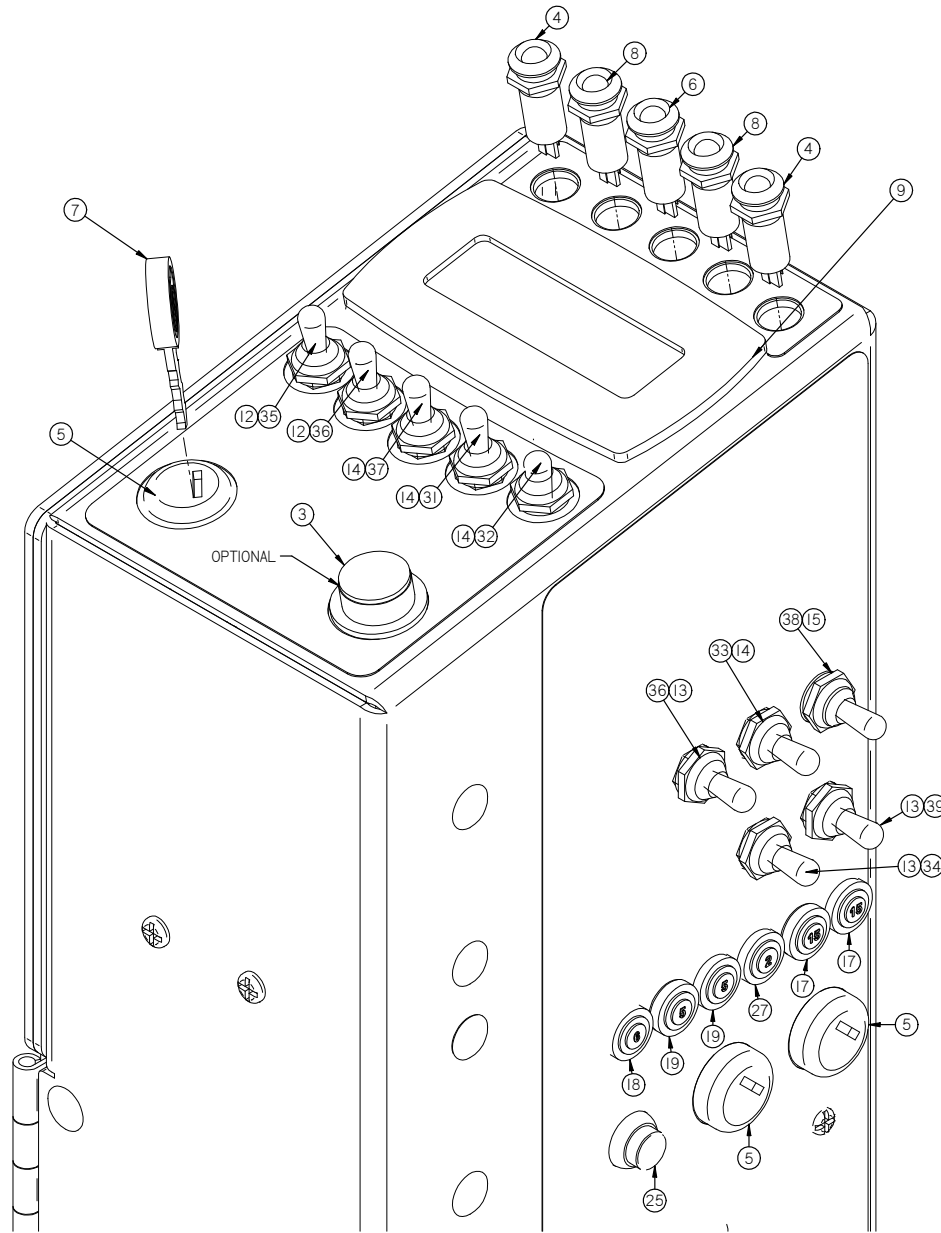
WHICH BATTERY CHARGER TO USE WITH BATTERY SELECTION

Battery Part Number & Description	Console Charger / North America	Onboard Charger / North America / International
250-2113 (6V / 245AH - WET)	250-2540 (36VDC / 25A)	370-2460 (36VDC / 33A)
370-2117 (6V / 310AH - WET)	370-2540 (36VDC / 30A)	370-2460 (36VDC / 33A)
253-2112 (6V / 360AH - WET)	370-2540 (36VDC / 30A)	370-2460 (36VDC / 33A)
250-2120 (6V / 250AH - AGM)	N/A	370-2460 (36VDC / 33A)
370-2120 (6V / 335AH - AGM)	N/A	370-2460 (36VDC / 33A)

Central Command

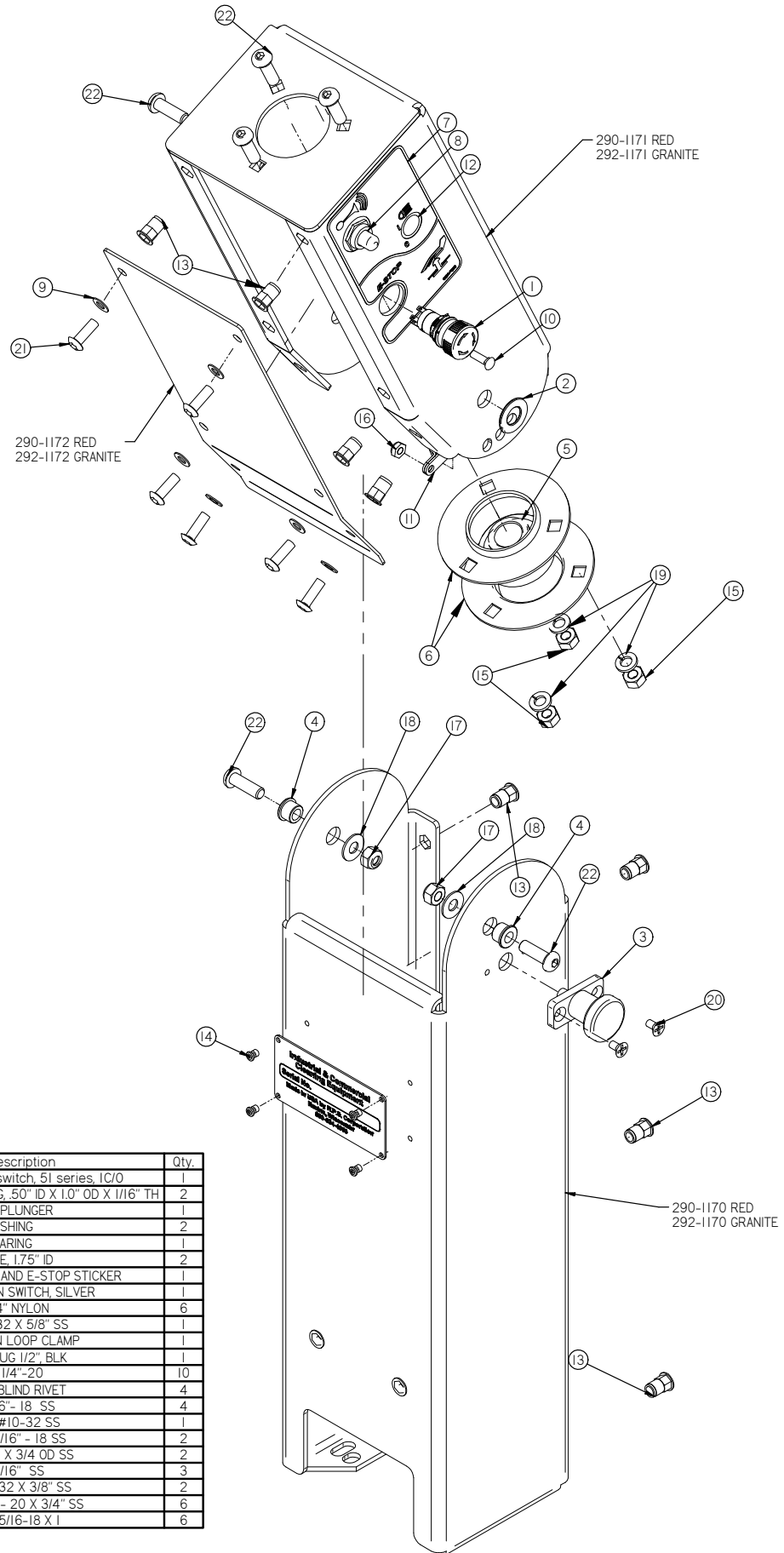


Item	Part No.	Part Description	Qty.	Item	Part No.	Part Description	Qty.
1	170-8500	HEATER	1	28	8-180	HINGE, 6-7/8" S/S	1
2	175-2700	NEG INSULATOR POST (BLACK)	1	29	E-5HBB	5 HOLE BUSS BAR	2
3	290-2015	ONE TOUCH BUTTON	1	30	H-0172521	CB #10-32 X 1" SS	2
4	290-2330	RED LIGHT	2	31	H-11195	PROTECTIVE BOOT, TOGGLE SWITCH, (WHITE)	1
5	290-234	KEY SWITCH (WITH KEY)	3	32	H-11196	PROTECTIVE BOOT, TOGGLE SWITCH, (RED)	1
6	290-2340	GREEN LIGHT	1	33	H-11197	PROTECTIVE BOOT, TOGGLE SWITCH, (YELLOW)	1
7	290-234A	KEY SET (REPLACE)	1	34	H-11198	PROTECTIVE BOOT, TOGGLE SWITCH, (GREEN)	1
8	290-2350	YELLOW LIGHT	2	35	H-11199	PROTECTIVE BOOT, TOGGLE SWITCH, (BLUE)	1
9	290-2891	LCD SCREEN	1	36	H-11200	PROTECTIVE BOOT, TOGGLE SWITCH, (BLACK)	2
10	290-9581	RELAY, 36V, SMALL, W/FLAT MTG PLATE	3	37	H-11201	PROTECTIVE BOOT, TOGGLE SWITCH, (GRAY)	1
11	370-2331	SWITCH, TOGGLE, MOM/OFF/MOM (DPDT)	2	38	H-11202	PROTECTIVE BOOT, TOGGLE SWITCH, (ORANGE)	1
12	370-2830	SWITCH, TOGGLE, ON/OFF (DPDT)	2	39	H-11203	PROTECTIVE BOOT, TOGGLE SWITCH, (PURPLE)	1
13	370-2831	SWITCH, TOGGLE, ON/OFF (DPDT)	3	40	H-250HCN	HCN 1/4"-20	4
14	370-8210	SWITCH, TOGGLE, ON/ON (DPDT)	4	41	H-70856	NYLOK #8-32 SS	4
15	370-8920	TOGGLE, ON-OFF SPST	1	42	H-70858	NYLOK #10-32 SS	4
16	390-2899	CONTROLLER V4	1	43	H-70860	NYLOK 1/4"-20 SS	5
17	390-9615	FUSE, RESETTABLE, 15 AMP, 50V DC MAX	2	44	H-70922	KN #8-32	4
18	4-284	FUSE, RESETTABLE, 6 AMP, 50V DC MAX	1	45	H-70925	KN 1/4-20 S/S	4
19	4-960	FUSE, RESETTABLE, 5 AMP, 50V DC MAX	2	46	H-71013	FW 1/4 ID X 5/8 OD SS	6
20	5-296	DIODE BRIDGE	2	47	H-72398	PPH #8-32 X 1/2" S/S	4
21	650-2004	CENTRAL COMMAND DUST CURTAIN	1	48	H-72418	PPH #8-32 X 1" S/S	4
22	650-2005	ACCESS COVER GASKET	1	49	H-72486	PPH #4-40 X 1/2" S/S	12
23	650-2007	RESISTOR PLATE	1	50	H-72534	PPH #10-32 X 3/4" S/S	2
24	650-9581	RESISTOR	3	51	H-72914	PPH SMS #8 X 1/2"	10
25	7-229D	PUSH BUTTON SWITCH	1	52	H-73754	BHSCS 1/4 - 20 X 3/4" SS	4
26	7-287	BUSS BAR UHMW	2	53	H-74417	CB 1/4" - 20 X 5" SS	4
27	7-837	FUSE RESETTABLE 2 AMP	1	54	H-74418	CB 1/4" - 20 X 5/8" S/S	5



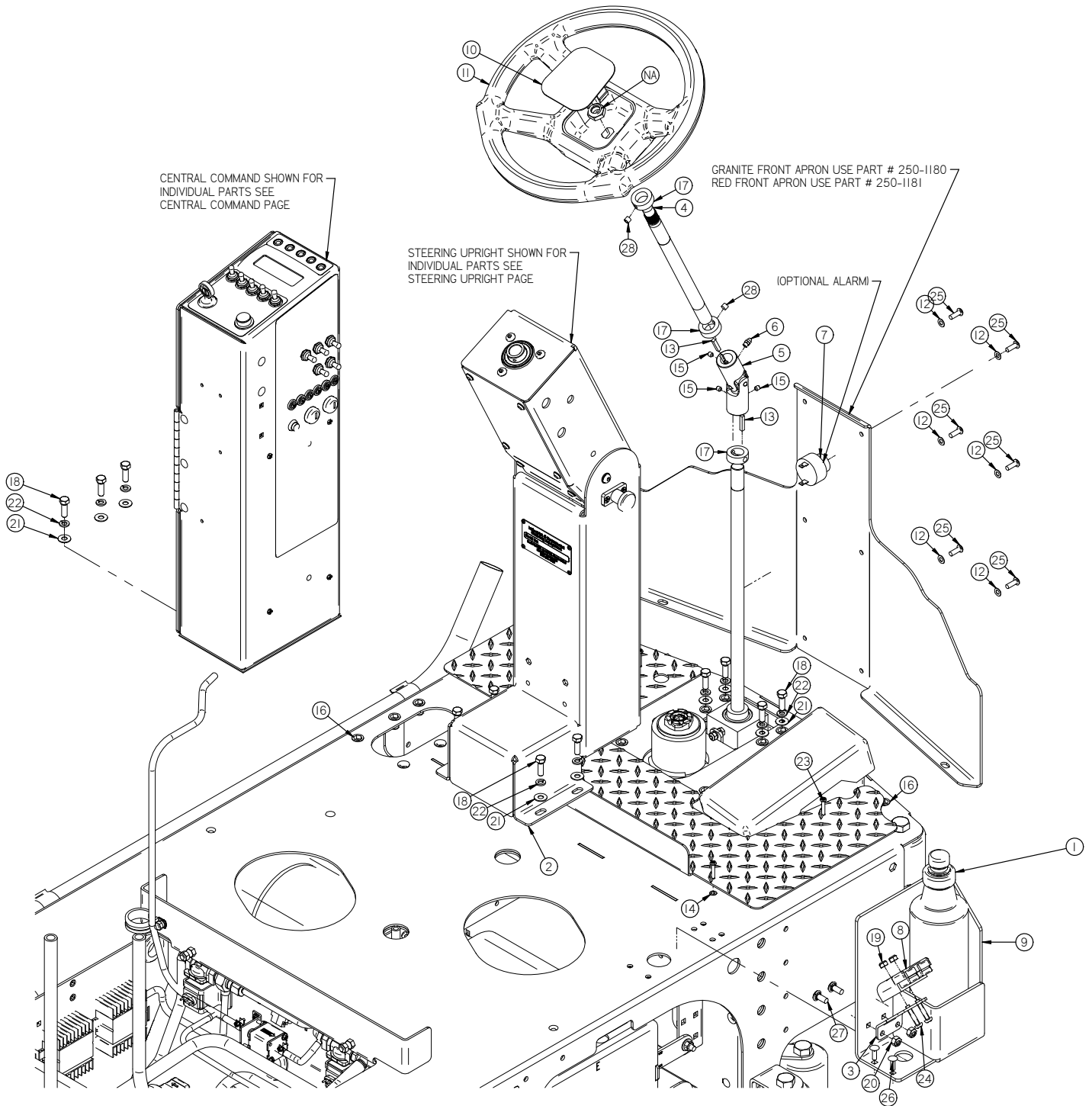
Item	Part No.	Part Description	Qty.	Item	Part No.	Part Description	Qty.
1	170-8500	HEATER	1	28	8-180	HINGE, 6-7/8" S/S	1
2	175-2700	NEG INSULATOR POST (BLACK)	1	29	E-5HBB	5 HOLE BUSS BAR	2
3	290-2015	ONE TOUCH BUTTON	1	30	H-0172521	CB #10-32 X 1" SS	2
4	290-2330	RED LIGHT	2	31	H-11195	PROTECTIVE BOOT, TOGGLE SWITCH, (WHITE)	1
5	290-234	KEY SWITCH (WITH KEY)	3	32	H-11196	PROTECTIVE BOOT, TOGGLE SWITCH, (RED)	1
6	290-2340	GREEN LIGHT	1	33	H-11197	PROTECTIVE BOOT, TOGGLE SWITCH, (YELLOW)	1
7	290-234A	KEY SET (REPLACE)	1	34	H-11198	PROTECTIVE BOOT, TOGGLE SWITCH, (GREEN)	1
8	290-2350	YELLOW LIGHT	2	35	H-11199	PROTECTIVE BOOT, TOGGLE SWITCH, (BLUE)	1
9	290-2891	LCD SCREEN	1	36	H-11200	PROTECTIVE BOOT, TOGGLE SWITCH, (BLACK)	2
10	290-9581		3	37	H-11201	PROTECTIVE BOOT, TOGGLE SWITCH, (GRAY)	1
11	370-2331	RELAY, 36V, SMALL, W/FLAT MTG PLATE	2	38	H-11202	PROTECTIVE BOOT, TOGGLE SWITCH, (ORANGE)	1
12	370-2830	SWITCH, TOGGLE, MOM/OFF/MOM (DPDT)	2	39	H-11203	PROTECTIVE BOOT, TOGGLE SWITCH, (PURPLE)	1
13	370-2831	SWITCH, TOGGLE, ON/OFF/ON (DPDT)	3	40	H-250HCN	HCN 1/4"-20	4
14	370-8210	SWITCH, TOGGLE, ON/ON (DPDT)	4	41	H-70856	NYLOK #8-32 SS	4
15	370-8920	TOGGLE, ON-OFF SPST	1	42	H-70858	NYLOK #10-32 SS	4
16	390-2899	CONTROLLER V4	1	43	H-70860	NYLOK 1/4"- 20 SS	5
17	390-9615	FUSE, RESETTABLE, 15 AMP, 50V DC MAX	2	44	H-70922	KN #8-32	4
18	4-284	FUSE, RESETTABLE, 6 AMP, 50V DC MAX	1	45	H-70925	KN 1/4-20 S/S	4
19	4-960	FUSE, RESETTABLE, 5 AMP, 50V DC MAX	2	46	H-71013	FW 1/4 ID X 5/8 OD SS	6
20	5-296	DIODE BRIDGE	2	47	H-72398	PPH #8-32 X 1/2" S/S	4
21	650-2004	CENTRAL COMMAND DUST CURTAIN	1	48	H-72418	PPH #8-32 X 1" S/S	4
22	650-2005	ACCESS COVER GASKET	1	49	H-72486	PPH #4-40 X 1/2" S/S	12
23	650-2007	RESISTER PLATE	1	50	H-72534	PPH #10-32 X 3/4" S/S	2
24	650-9581	RESISTER	3	51	H-72914	PPH SMS #8 X 1/2"	10
25	7-229D	PUSH BUTTON SWITCH	1	52	H-73754	BHSCS 1/4 - 20 X 3/4" SS	4
26	7-287	BUSS BAR UHMW	2	53	H-74417	CB 1/4"- 20 X 5" SS	4
27	7-837	FUSE RESETTABLE 2 AMP	1	54	H-74418	CB 1/4"- 20 X 5/8" S/S	5

Steering Column



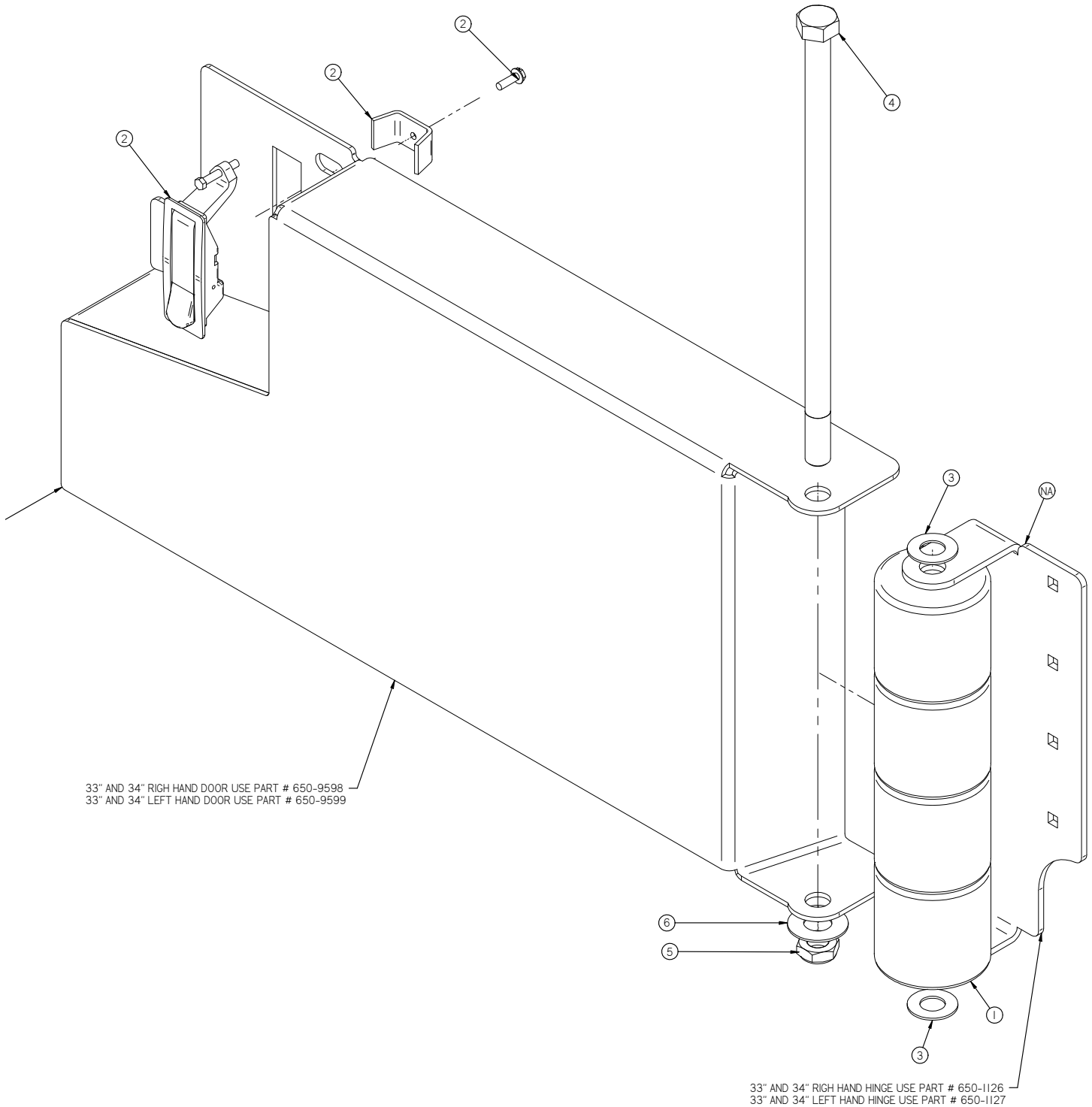
Item	Part No.	Part Description	Qty.
1	175-0300	Emergency stop switch, 51 series, IC/O	1
2	290-1247	BRONZE THRUST BEARING, .50" ID X 1.0" OD X 1/16" TH	2
3	290-7050	INDEX PLUNGER	1
4	370-1245	BUSHING	2
5	4-352	BEARING	1
6	4-364A	FLANGE, 1.75" ID	2
7	600-1503	HORN HEAD LIGHT AND E-STOP STICKER	1
8	8-294B	PUSH BUTTON SWITCH, SILVER	1
9	H-00282	FW 1/4" NYLON	6
10	H-0172519	CB #10-32 X 5/8" SS	1
11	H-02239	3/8" NYLON LOOP CLAMP	1
12	H-0708887	DOME PLUG 1/2", BLK	1
13	H-250HCN	HCN 1/4"-20	10
14	H-41007	AB4-3A BLIND RIVET	4
15	H-70711	HN 5/16"-18 SS	4
16	H-70858	NYLOK #10-32 SS	1
17	H-70861	NYLOK 5/16" - 18 SS	2
18	H-71015	FW 5/16 ID X 3/4 OD SS	2
19	H-71065	LW 5/16" SS	3
20	H-72681	FHP #10-32 X 3/8" SS	2
21	H-73754	BHSCS 1/4 - 20 X 3/4" SS	6
22	H-73780	BHSCS 5/16-18 X 1	6

Attaching Steering Column & Central Command

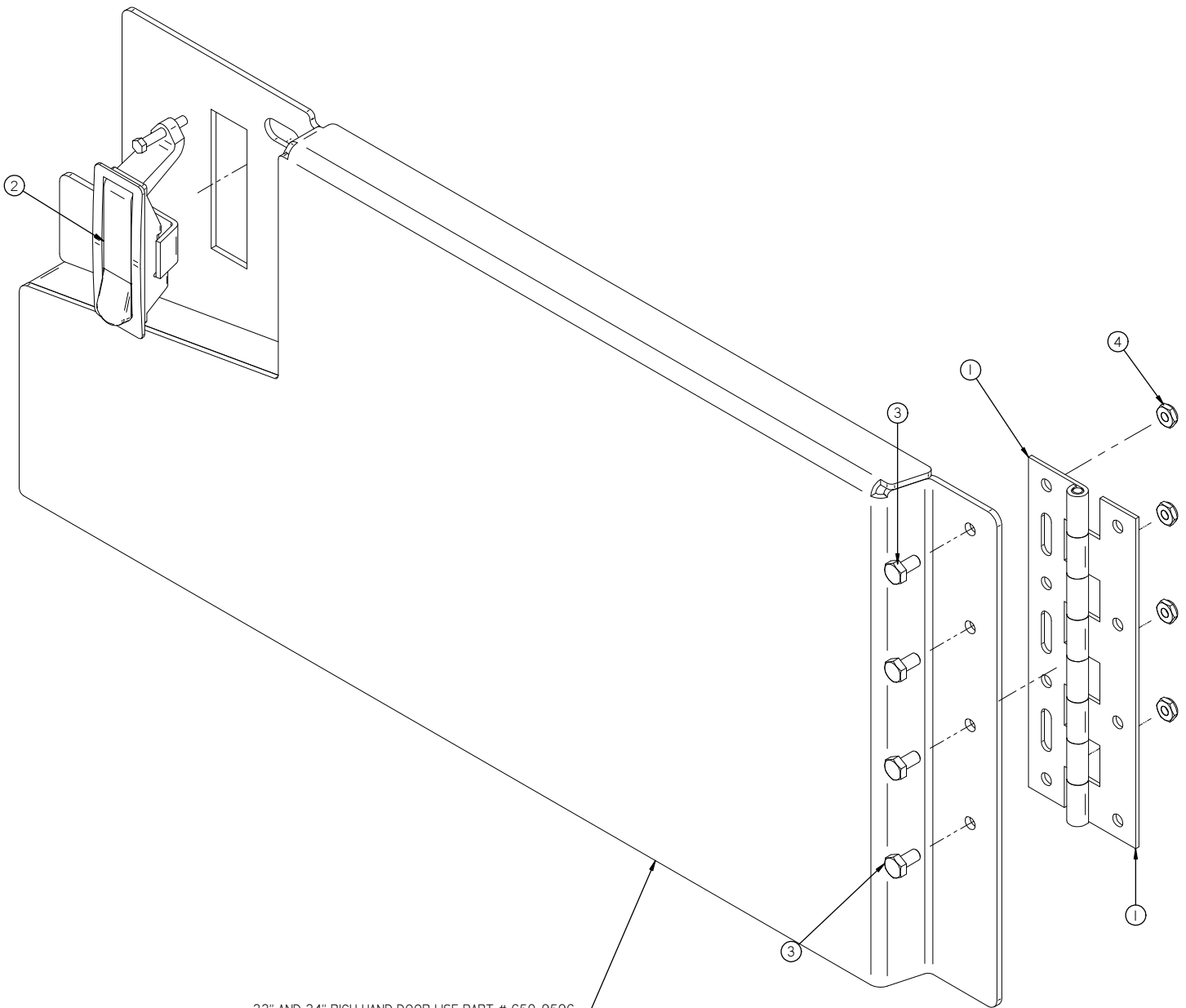


Item	Part No.	Part Description	Qty.	Item	Part No.	Part Description	Qty.
1		ROUND SOAP BOTTLE	1	15	H-25379	SETSCREW, KCP, 1/4"-20 X 1/4"	3
2	250-1173	DRIVE COVER	1	16	H-312HCN	HCN 5/16"-18	16
3	264-9516	CHARGER CONTACTOR BRACKET	1	17	H-33376	SHAFT COLLAR, 3/4" ID X 9/16 LG	3
4	290-7090	STEERING SHAFT, UPPER	1	18	H-70055	HCS 5/16"- 18 X 1" SS	11
5	290-7110	U-JOINT	1	19	H-70860	NYLOK 1/4"- 20 SS	6
6	290-7111	1/4-28 ZERK FITTING	1	20	H-70861	NYLOK 5/16"- 18 SS	2
7	370-2930	ALARM (91 dPa)	1	21	H-71015	FW 5/16 ID X 3/4 OD SS	11
8	390-2576	175A GREY CONNECTOR	1	22	H-71065	LW 5/16" SS	11
9	650-2450	POWER DOSE BOTTLE HOLDER	1	23	H-72536	PPH #10-32 X 1" S/S	6
10	8-701A	STEERING COVER	1	24	H-72594	PPH 1/4-20 X 1-1/4" SS	2
11	8-703	STEERING WHEEL	1	25	H-73754	BHSCS 1/4 - 20 X 3/4" SS	6
12	H-00282	FW 1/4" NYLON	6	26	H-74419	CB 1/4"- 20 X .75" SS	4
13	H-01125	3/16" X 1" KEY	2	27	H-74429	CB 5/16"- 18 X 3/4" SS	2
14	H-1032HCN	HCN #10-32	6	28	H-81983	5/16" X 1/4" KURL SET SCREW	3

34" Disk & 33" Cylindrical Doors



Item	Part No.	Part Description	Qty.
1	2I-1127	ROLLER	4
2	5-130	DOOR LATCH	1
3	H-00279	FW 5/8" PVC	2
4	H-13337	HB 5/8" - 11 X 13"	1
5	H-37038	JNYL 5/8" - 11	1
6	H-71025	FW 5/8 ID X 1-1/2 OD SS	1



33" AND 34" RIGHT HAND DOOR USE PART # 650-9596
 33" AND 34" LEFT HAND DOOR USE PART # 650-9597

Item	Part No.	Part Description	Qty.
1	5-122	8" SS HINGE	1
2	5-130	DOOR LATCH	1
3	H-70001	HCS 1/4"-20 X 1/2 SS"	4
4	H-NJ04C	JNYL 1/4" - 20 SS	4

Common Wear Parts

ROUND DISK BRUSHES:**NOTICE**

The ## in Disk Column Denotes Desk Pad Size: 15" or 17"

BRUSHES	DISK	LEVEL
Super Grit	##-382SS	Very High
Tough Grit	##-382S	High
Midi Grit	##-382C	Medium
Light Grit	##-382PS	Moderate
Poly	##-382P	Light
Nylon	##-382N	Light
Tampico	##-382T	Light
Pad Driver	##-382D	
Diamond Driver	##-382DD	

ROUND DISK PADS:**NOTICE**

The ## in Disk Column Denotes Desk Pad Size: 15" or 17"

DISK PADS	DISK	LEVEL	COLOR
Super Black	##-422BB	Very High	Black
Black	##-422B	High	Black
Brown	##-422BR	High	Brown
Green	##-422G	Medium	Green
Blue	##-422BL	Moderate	Blue
Red	##-422R	Moderate	Red
White	##-422W	Light	White

CYLINDRICAL BRUSHES:

BRUSHES	MODEL 29" CYLINDRICAL	MODEL 33" CYLINDRICAL	LEVEL
Tough Grit	276-697S	316-697S	High
Midi Grit	276-697C	316-697C	Medium
Light Grit	276-697PS	316-697PS	Moderate
Fine Grit	276-697F	316-697F	Light
Nylon	276-697N	316-697N	Light
Tampico	276-697T	316-697T	Light

SQUEEGEE BLADE KITS & COMPLETE SQUEEGEE ASSEMBLIES:

SQUEEGEE SIZE	30" DISK DECKS	34" DISK DECKS	29" CYL. DECKS	33" CYL. DECKS
33" Squeegee	Standard	Optional	Standard	Optional
36" Squeegee	Optional	Standard	Optional	Standard
39" Squeegee	Optional	Optional	Optional	Optional

SQUEEGEE SIZE	LINATEX BLADE KIT	GUM RUBBER BLADE KIT	URETHANE BLADE KIT	COMPLETE SQUEEGEE ASSEMBLIES
33" Squeegee	33-770L	33-770G	33-770U	33-8180
36" Squeegee	36-770L	36-770G	36-770U	36-8180
39" Squeegee	39-770L	39-770G	39-770U	39-8180

SQUEEGEE MATERIAL:	USED FOR:
LINATEX	Provides best wear and tear resistance. Not designed for use with harsh chemicals.
URETHANE	Provides best resistance when dealing with harsh chemicals, oils, fuels, etc.
GUM	Provides best drying performance on rough/grouted floor types by sealing over irregularities. Short life.

NOTICE
Squeegee blade kits include (1) Rear Blade & (1) Front Blade.

NOTICE
Squeegee Assemblies (complete) listed above all come with Linatex blades.

NOTICE
Size is stamped into the top of the painted steel squeegee body on all squeegee's.





HD Model Sticker - Part #: 650-1502

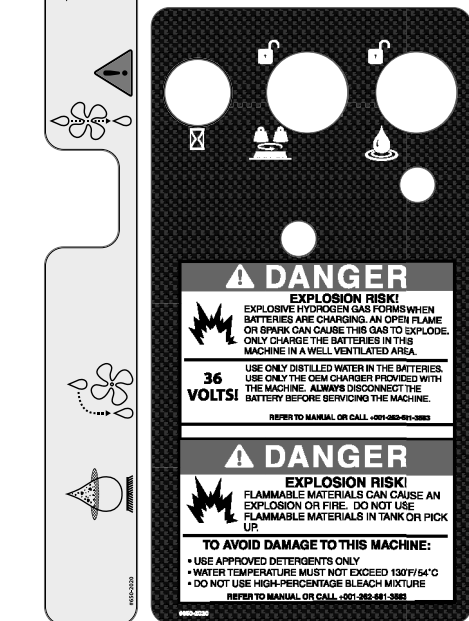
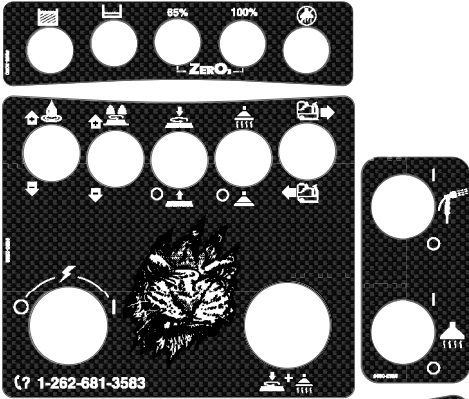


ST Model Sticker - Part #: 650-1501



Front Tomcat Sticker Part #: 370-7202

EX Stick Pack - Part #: 650-2020



BLANK

THIS PAGE WAS INTENTIONALLY LEFT BLANK

TOMCAT[®]

1711 South Street
Racine, WI 53404
www.tomcatequip.com
Tel. US: 800-450-9824
Tel. Int: (001) 262-681-6470