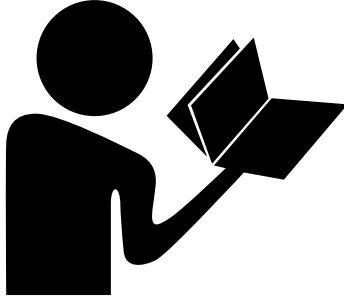
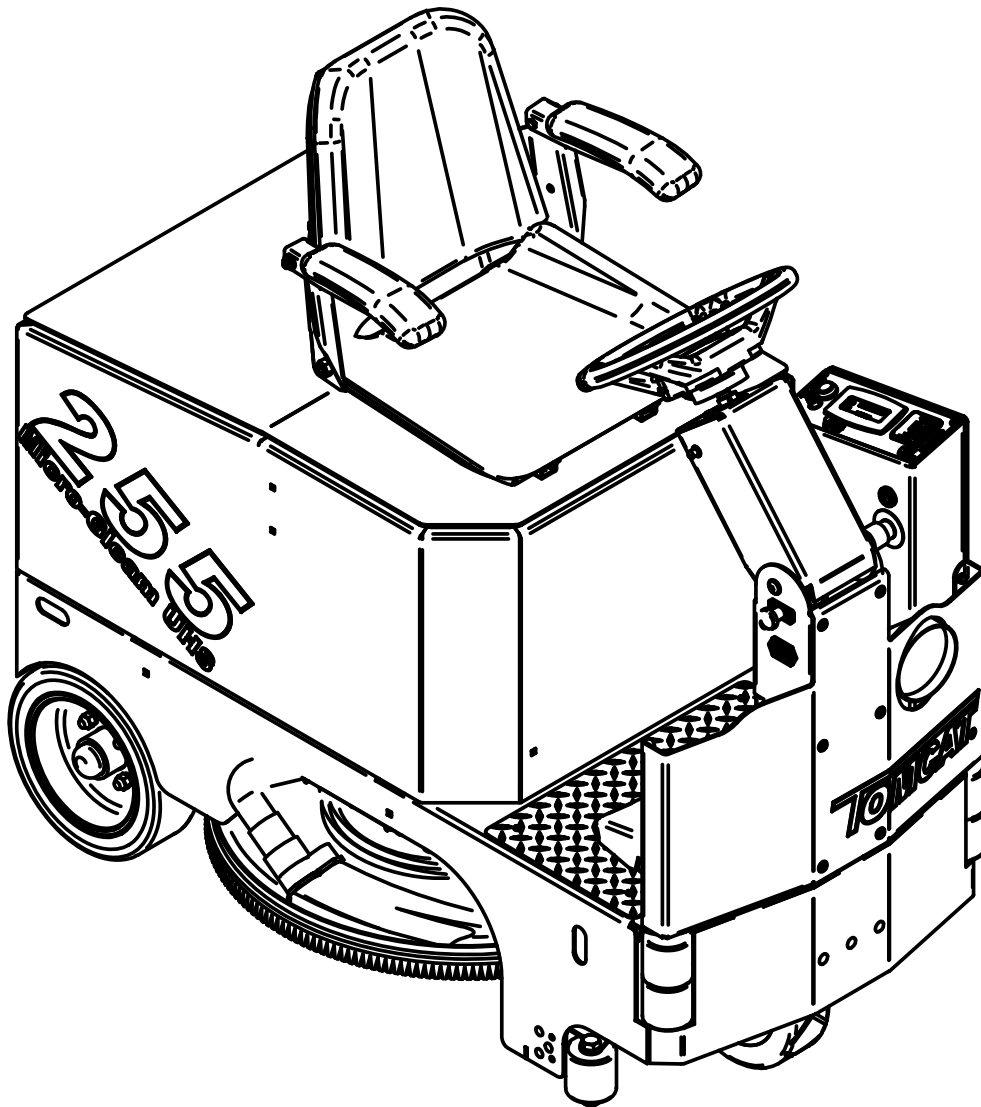



TOMCAT[®]

255

Parts Manual (EN)



Read the Operators Manual before using the machine.



Read the Safety Messages before servicing machine.

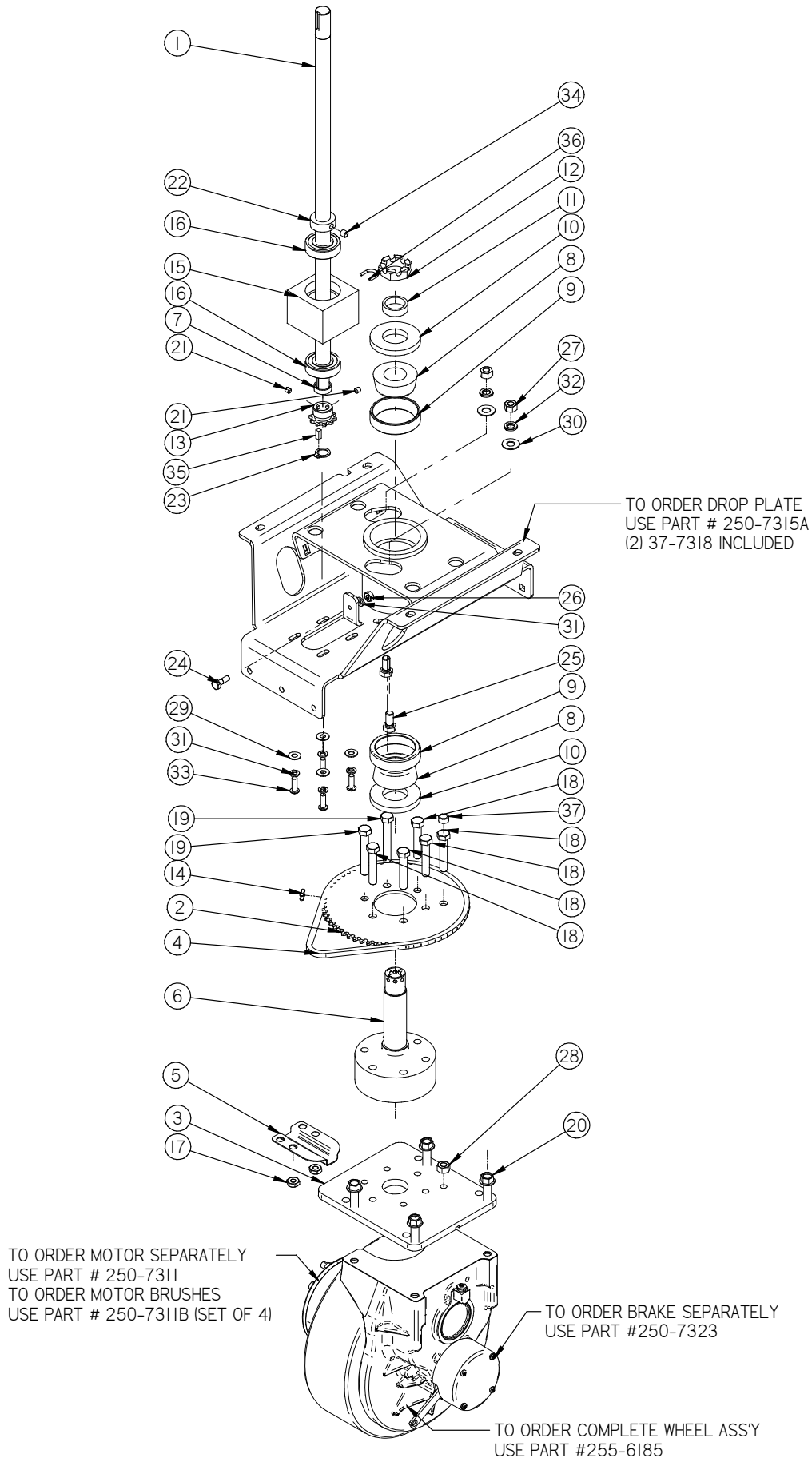
www.tomcatequip.com
1711 South Street
Racine, WI 53404 (USA)
(800) 450-9824 | (+001) 262-681-6470
© 2017 RPS Corporation

Scan With Phone for more Information



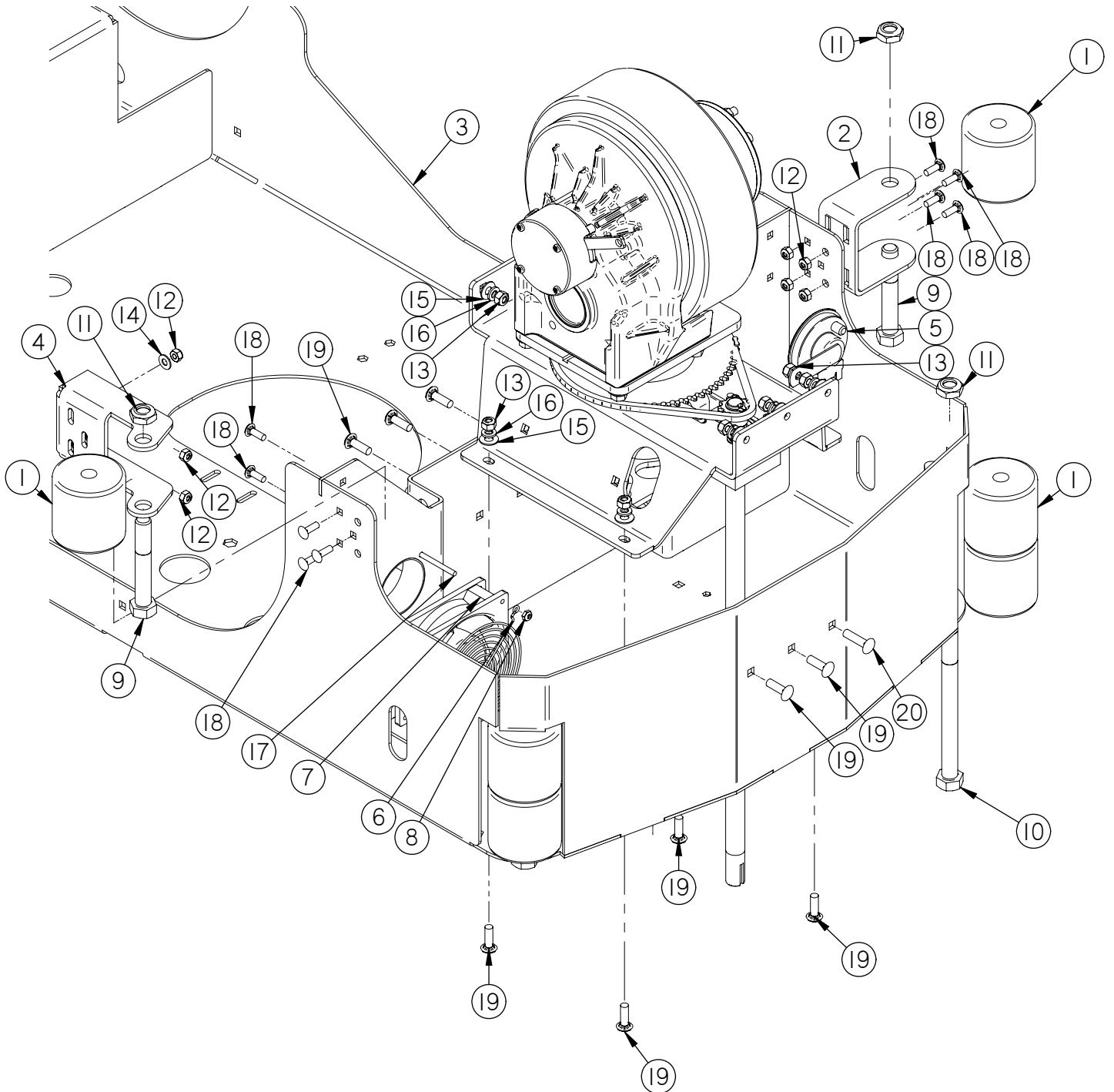
V17.215
TC-255-P-EN

Front Wheel Assembly.....	4
Wheels and Rollers	6
Rear Axle and Vac Motor.....	8
27 Inch Burnisher Deck	10
27 Inch Old Belt Drive Burnisher Deck.....	12
Manual Burnisher Actuator.....	14
Mechanical Burnisher Actuator	16
Deck and Actuator Tower.....	18
Steering Upright	20
Central Command - Current Style	22
Central Command - Old Style.....	24
Steering Tower, Central Command, and Apron	26
Batteries, Seat, and Filter Box.....	28
Common Wear Parts	30



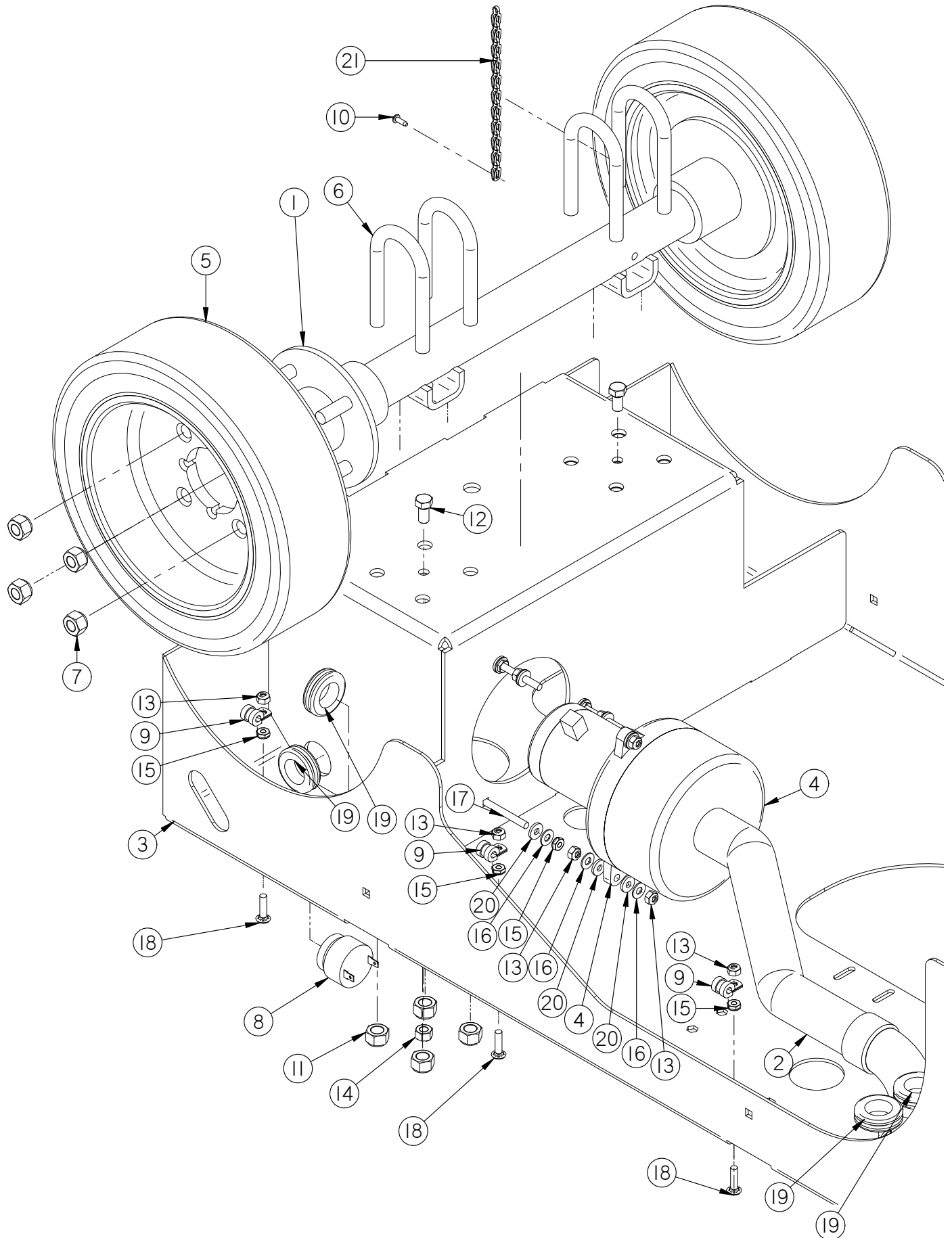
Front Wheel Assembly

Item	Part No.	Part Description	Qty.
1	250-7120	STEERING SHAFT, LOWER	1
2	250-7314	60 TOOTH STEERING SPROCKET	1
3	250-7326	PIVOT PLATE	1
4	250-7327	STEERING CHAIN	1
5	250-7328	WIRE GUIDE	1
6	250-7332	STEERING SPINDLE	1
7	290-1218	SPACER 7/8" OD. X 3/4" ID X 1/4" LG	1
8	37-7317	TAPERED ROLLER BEARING	2
9	37-7318	BEARING CAP	2
10	37-7319	STEERING SHAFT SEAL	2
11	37-7320	PRE LOAD SLEEVE	1
12	37-7321	SLOTTED NUT, 2.0 - 12	1
13	5-826	10 TOOTH SPROCKET	1
14	5-831	MASTER LINK	1
15	8-723	BEARING BLOCK	1
16	8-723B	BEARING	2
17	H-0171004	JNYL 3/8- 24 SS	2
18	H-0172949	HCS 3/8"- 24 X 2" SS FULL THREADED	5
19	H-0172951	HCS 3/8"- 24 X 2-1/2" SS FULL THREADED	2
20	H-11115680	FB CASHD M10-1.5 X 30mm	4
21	H-25379	SETSCREW, KCP, 1/4"-20 X 1/4"	2
22	H-33376	SHAFT COLLAR, 3/4" ID X 9/16 LG	1
23	H-68013	SNAPRING 5/8"	1
24	H-70003	HCS 1/4"-20 X 3/4" SS	1
25	H-70103	HCS 3/8"-16 X 3/4" SS	2
26	H-70710	HN 1/4"- 20 SS	1
27	H-70712	HN 3/8"-16 SS	2
28	H-70732	HN 3/8"- 24 SS	1
29	H-71013	FW 1/4 ID X 5/8 OD SS	4
30*	H-71017	FW 3/8 ID X 7/8 OD SS	2
31	H-71063	LW 1/4" SS	5
32	H-71067	LW 3/8" SS	2
33	H-73754	BHSCS 1/4 - 20 X 3/4" SS	4
34	H-81983	5/16" X 1/4" KURL SET SCREW	1
35	H-K1432	3/16" X 1/2" KEY	1
36	M-938IT24	S-HOOK	1
37	T-050B0025	5/16 ID x 1/4" LG BLACK HOSE	1



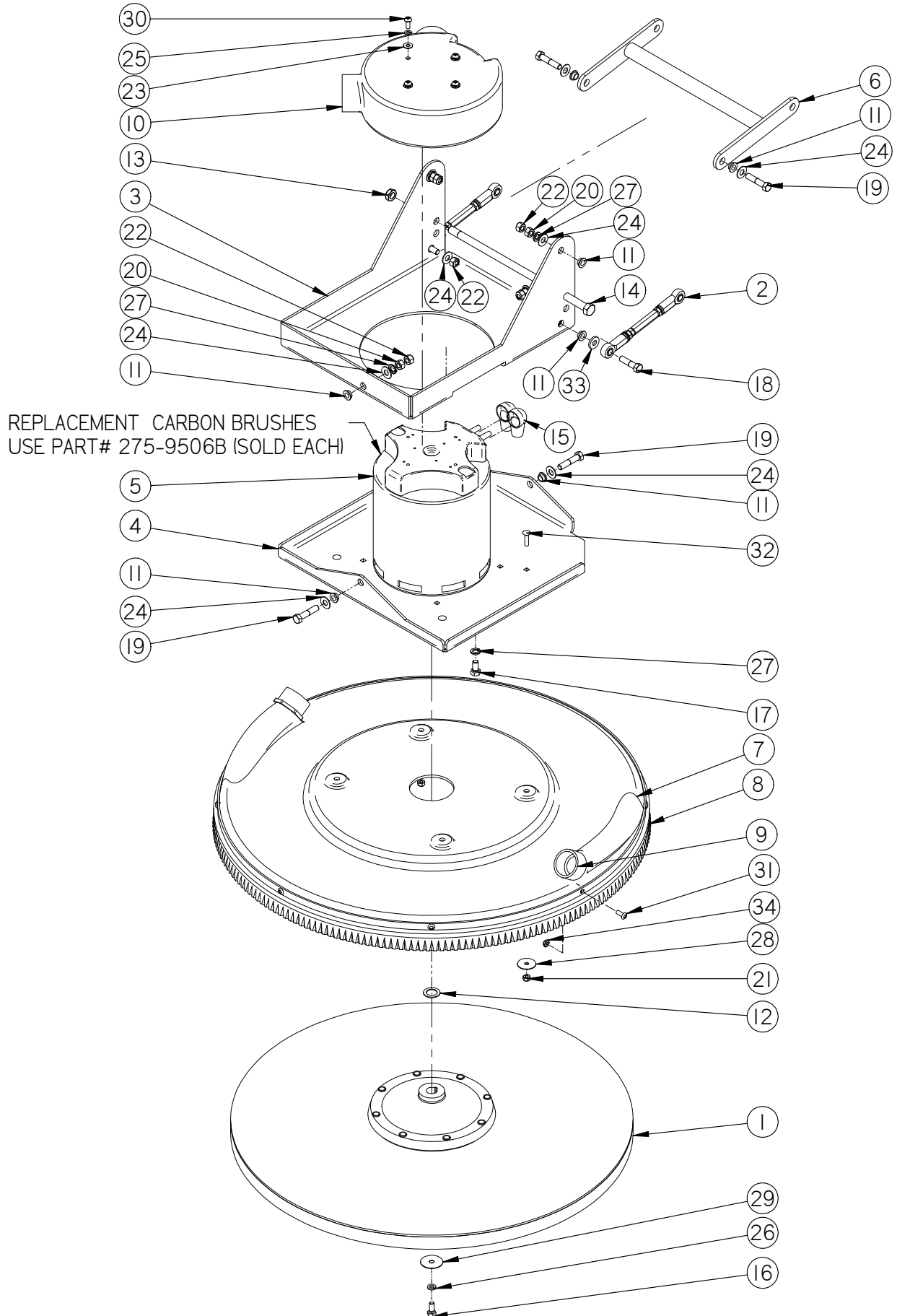
Wheels and Rollers

Item	Part No.	Part Description	Qty.
1	21-1127	ROLLER	6
2	22-1126	ROLLER BRACKET	1
3	255-1100	MAIN FRAME	1
4	290-1128	LOWER ROLLER BRACKET	1
5	370-2940	HORN	1
6	5-212A	FAN GUARD	1
7	5-218	48 VOLT COOLING FAN	1
8	H-0129155	JNYL #10-32, 18-8 S/S	3
9	H-11319	HB 5/8"- 11 X 4"	2
10	H-11333	HB 5/8"- 11 X 7"	2
11	H-37038	JNYL 5/8"- 11	4
12	H-70860	NYLOK 1/4"- 20 SS	9
13	H-70861	NYLOK 5/16" - 18 SS	7
14	H-71013	FW 1/4 ID X 5/8 OD SS	3
15	H-71015	FW 5/16 ID X 3/4 OD SS	6
16	H-71065	LW 5/16" SS	6
17	H-72556	PPH #10-32 X 2" SS	4
18	H-74419	CB 1/4"- 20 X .75" SS	9
19	H-74430	CB 5/16"- 18 X 1" SS	9
20	H-74431	CB 5/16"- 18 X 1-1/4" SS	1



Rear Axle and Vac Motor

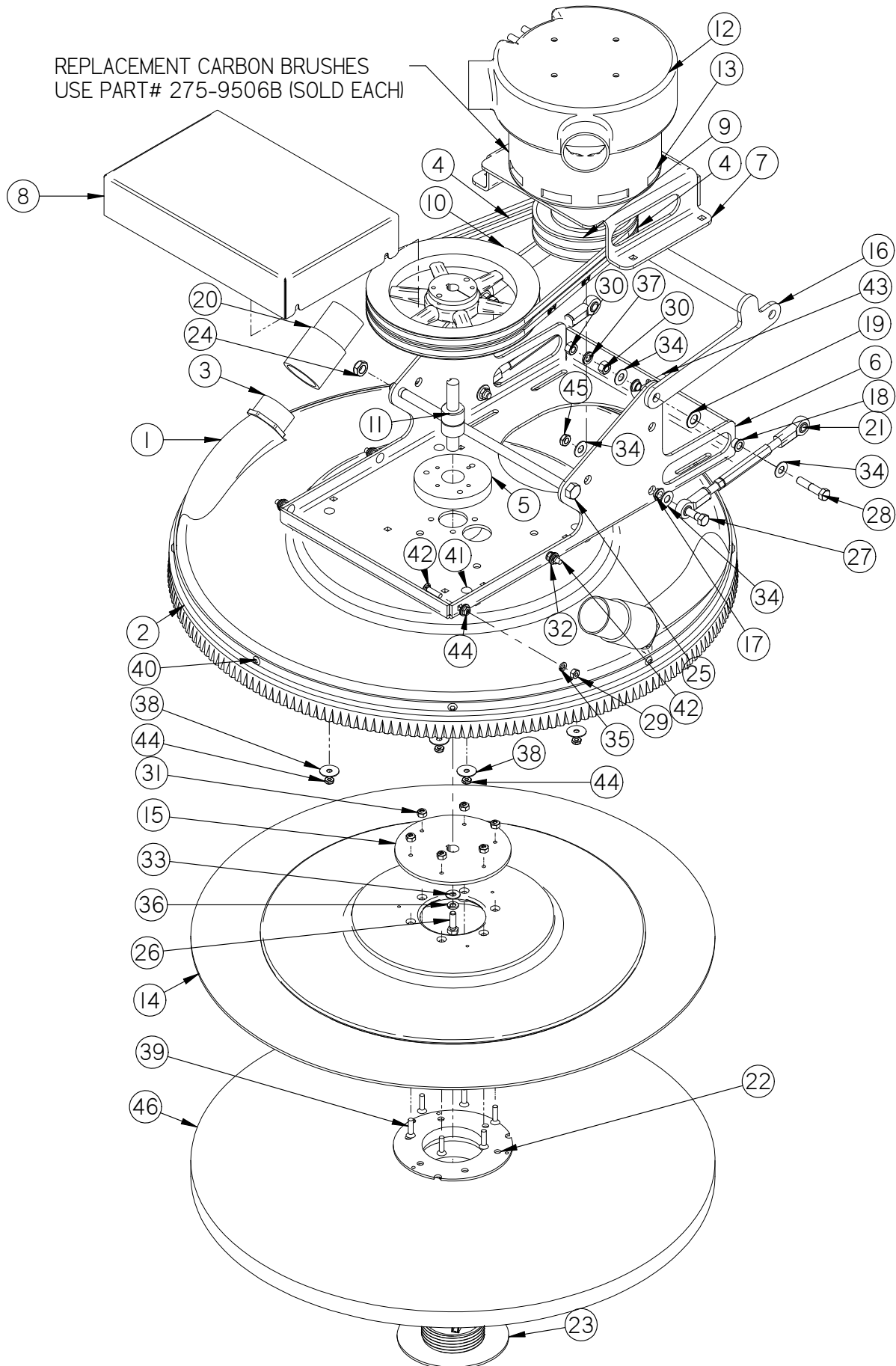
Item	Part No.	Part Description	Qty.
1	250-6040	250 REAR AXLE	1
2	255-0114	VAC TO VAC BOX HOSE	1
3	255-1100	MAIN FRAME	1
4	255-5250	36V VAC MOTOR, TANGENTIAL W/SNORKEL	1
5	255-6180	REAR WHEEL (GRAY) (NO TREAD)	2
6	290-6186	1/2-20 X 1-1/4 " U BOLT	4
7	290-6187	LUG NUT, 1/2"- 20	8
8	370-2930	ALARM (91 dPa)	1
9	H-0127288	3/8" LOOP CLAMP	3
10	H-31810	#10-16 X 1/2 DRILL TAP	1
11	H-37130	NYLOK 1/2"-13	8
12	H-70103	HCS 3/8"-16 X 3/4" SS	2
13	H-70860	NYLOK 1/4"- 20 SS	9
14	H-70862	NYLOK 3/8"-16 SS	2
15	H-70925	KN 1/4-20 S/S	6
16	H-71013	FW 1/4 ID X 5/8 OD SS	9
17	H-74397	CB 1/4"- 20 X 2-1/4" SS	3
18	H-74420	CB 1/4"- 20 X 1.0" SS	3
19	H-9307K74	GROMMET, 1" ID X 1-3/4" OD BUNA-N	4
20	M-90130A029	.25" NEOPRENE WASHER	9
21	T-360824SI000	10" GOLD GROUDING CHAIN	1



27 Inch Burnisher Deck

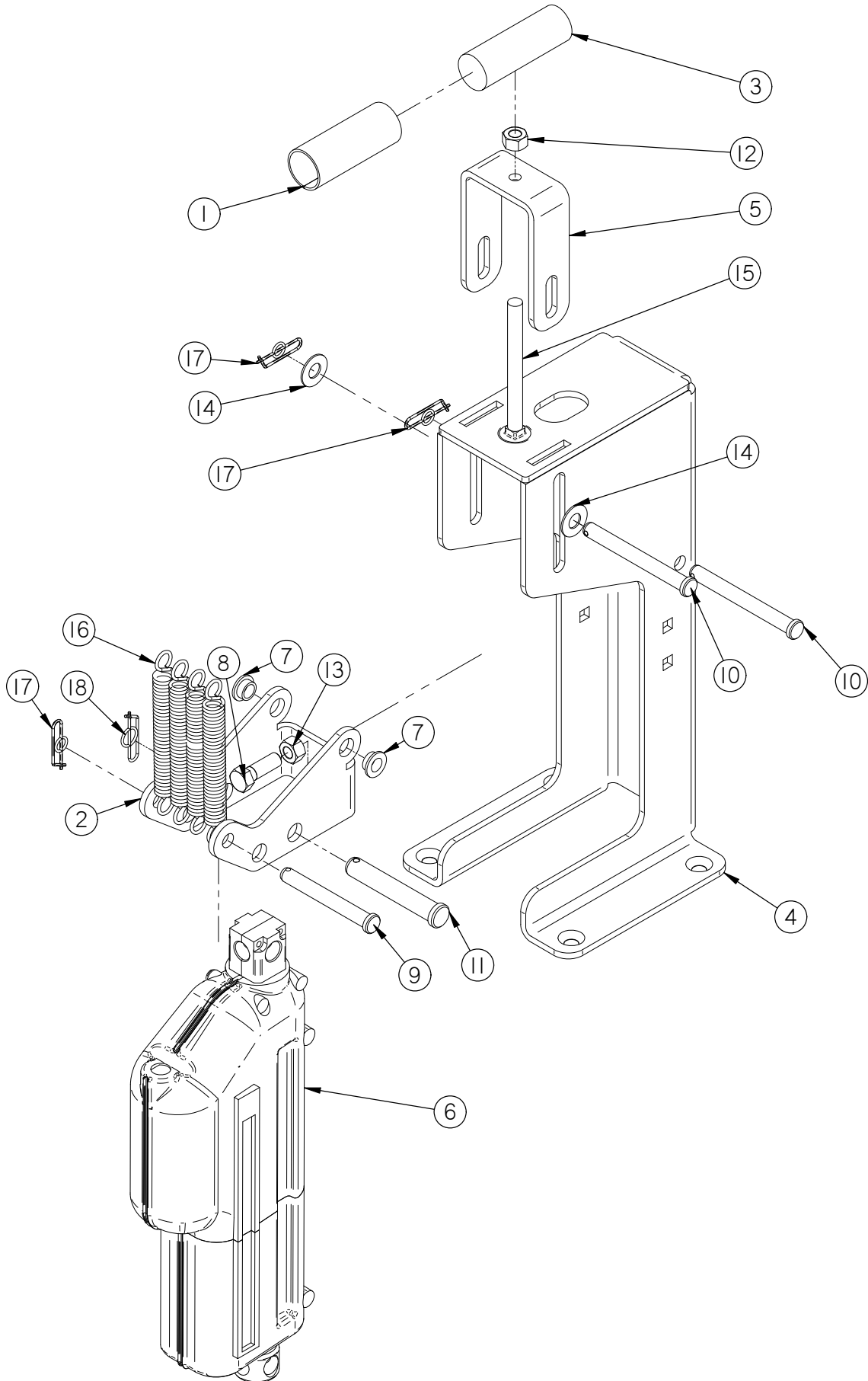
Item	Part No.	Part Description	Qty.
1	200-9568	27" BURNISHER PAD DRIVER	1
2	253-8440	ADJUSTABLE LATERAL ARM	2
3	255-4020	UPPER TILT DECK	1
4	255-4021	LOWER TILT DECK	1
5	255-9506	MOTOR, 36V 85 AMPS 1600 RPM 3.25 HP	1
6	255-9587	LATERAL LIFTING BRACKET	1
7	275-0001	27" BURNISHER SHROUD	1
8	275-0016	SHROUD CURTAIN	1
9	275-1201	1-1/4 NPT TO 2" OD ADAPTER	2
10	275-9501	MOTOR COVER	1
11	290-1233	3/8" ID, 1/2" OD, 1/4" LG BEARING	10
12	H-00222	FW 3/4" ID X 1 1/8" OD X 3/32" SS	1
13	H-0129159	JNYL, 1/2"-13, 18-8 SS	1
14	H-15237	HCS 1/2"- 13 X 13" GRADE 8	1
15	H-40031	BATTERY BOOT	2
16	H-70091	HCS 5/16"- 24 X 3/4" SS	1
17	H-70102	HCS 3/8"-16 X 5/8" SS	4
18	H-70109	HCS 3/8"- 16 X 1-1/2" SS	2
19	H-70110	HCS 3/8"- 16 X 1-3/4" SS	4
20	H-70712	HN 3/8"-16 SS	4
21	H-70860	NYLOK 1/4"- 20 SS	4
22	H-70862	NYLOK 3/8"-16 SS	6
23	H-71013	FW 1/4 ID X 5/8 OD SS	4
24	H-71017	FW 3/8 ID X 7/8 OD SS	10
25	H-71063	LW 1/4" SS	4
26	H-71065	LW 5/16" SS	1
27	H-71067	LW 3/8" SS	8
28	H-71213	FNW 1/4" X 1-1/4" SS	4
29	H-71215	FNW 5/16 ID X 1-1/2 OD SS	1
30	H-72588	PPH 1/4-20 X 5/8" SS	4
31	H-73753	BHSCS 1/4 - 20 X 5/8" SS	9
32	H-74420	CB 1/4"- 20 X 1.0" SS	4
33	H-98025	FW 3/8" GRADE 8	2
34	H-NJ04C	JNYL 1/4" - 20 SS	9

27 Inch Old Belt Drive Burnisher Deck

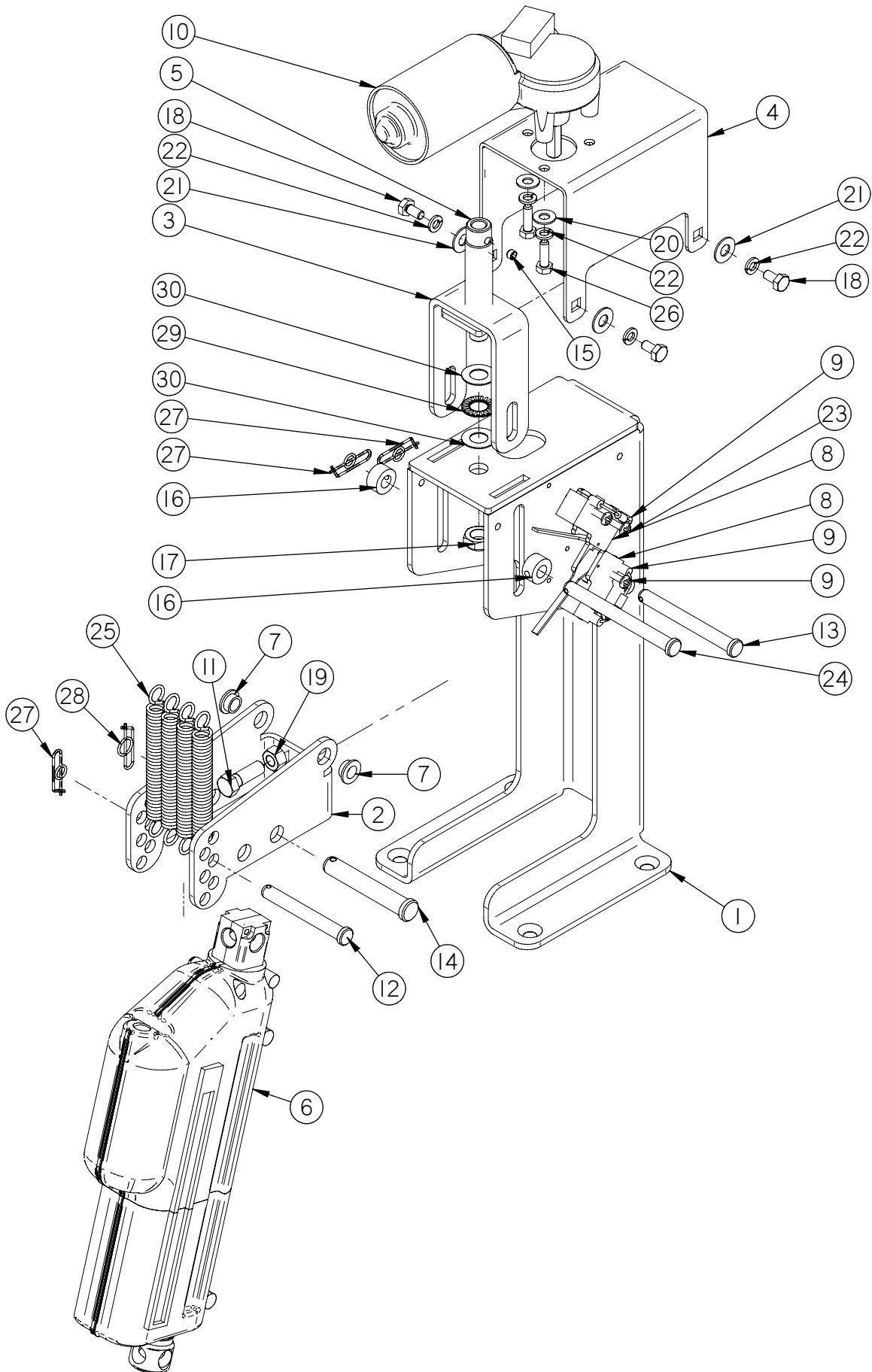


27 Inch Old Belt Drive Burnisher Deck

Item	Part No.	Part Description	Qty
1	275-0001	27" BURNISHER SHROUD	1
2	275-0016	SHROUD CURTAIN	1
3	275-1201	1-1/4 NPT TO 2" OD ADAPTER	2
4	275-3012	PAD DRIVER BELT	2
5	275-3050	BEARING HOUSING	1
6	275-4020	SINGLE PAD BURNISHER DECK	1
7	275-4021	MOTOR ADJUSTMENT BRACKET	1
8	275-4022	BELT GUARD	1
9	275-8215	DH2550 5.5" PULLEY	1
10	275-8226	9" PULLEY	1
11	275-8240	DRIVE BEARING	1
12	275-9501	MOTOR COVER	1
13	275-9506	BURNISHER MOTOR 36V 2500 RPM 78 AMP 3 HP	1
14	275-9532	27" DRIVER PLATE	1
15	275-9568	PAD DRIVER	1
16	275-9586	LATERAL LIFTING BRACKET	1
17	290-1233	3/8" ID, 1/2" OD, 1/4" LG BEARING	4
18	290-1245	3/8" ID, 1/2" OD, 3/8" LG, FLANGE BEARING	2
19	290-1247	BRONZE THRUST BEARING, .50" ID X 1.0" OD X 1/16" TH	2
20	290-7212	1-1/2" - 2" HOSE CUFF	2
21	290-9587	ADJUSTABLE LATERAL ARM	2
22	40-434A	DRIVER LOCK	1
23	40-434B	DRIVER SCREW IN PAD LOCK	1
24	H-0129159	JNYL, 1/2"-13, 18-8 SS	1
25	H-15237	HCS 1/2"- 13 X 13" GRADE 8	1
26	H-70055	HCS 5/16"- 18 X 1" SS	1
27	H-70107	HCS 3/8"- 16 X 1-1/4" SS	2
28	H-70110	HCS 3/8"- 16 X 1-3/4" SS	2
29	H-70710	HN 1/4"- 20 SS	4
30	H-70712	HN 3/8"-16 SS	4
31	H-70860	NYLOK 1/4"- 20 SS	6
32	H-71013	FW 1/4 ID X 5/8 OD SS	8
33	H-71015	FW 5/16 ID X 3/4 OD SS	1
34	H-71017	FW 3/8 ID X 7/8 OD SS	8
35	H-71063	LW 1/4" SS	4
36	H-71065	LW 5/16" SS	1
37	H-71067	LW 3/8" SS	2
38	H-71212	FNW 1/4 ID X 1.0 OD SS	4
39	H-72710	FHP 1/4"- 20 X 1" SS	6
40	H-73753	BHSCS 1/4 - 20 X 5/8" SS	9
41	H-74418	CB 1/4"- 20 X 5/8" S/S	4
42	H-74420	CB 1/4"- 20 X 1.0" SS	4
43	H-74439	CB 3/8"- 16 X 2.0" SS	1
44	H-NJ04C	JNYL 1/4" - 20 SS	17
45	H-NJ06C	JNYL 3/8- 16 SS	2
46	SEE COMMON WEAR PARTS	27" BURNISHER PAD	1

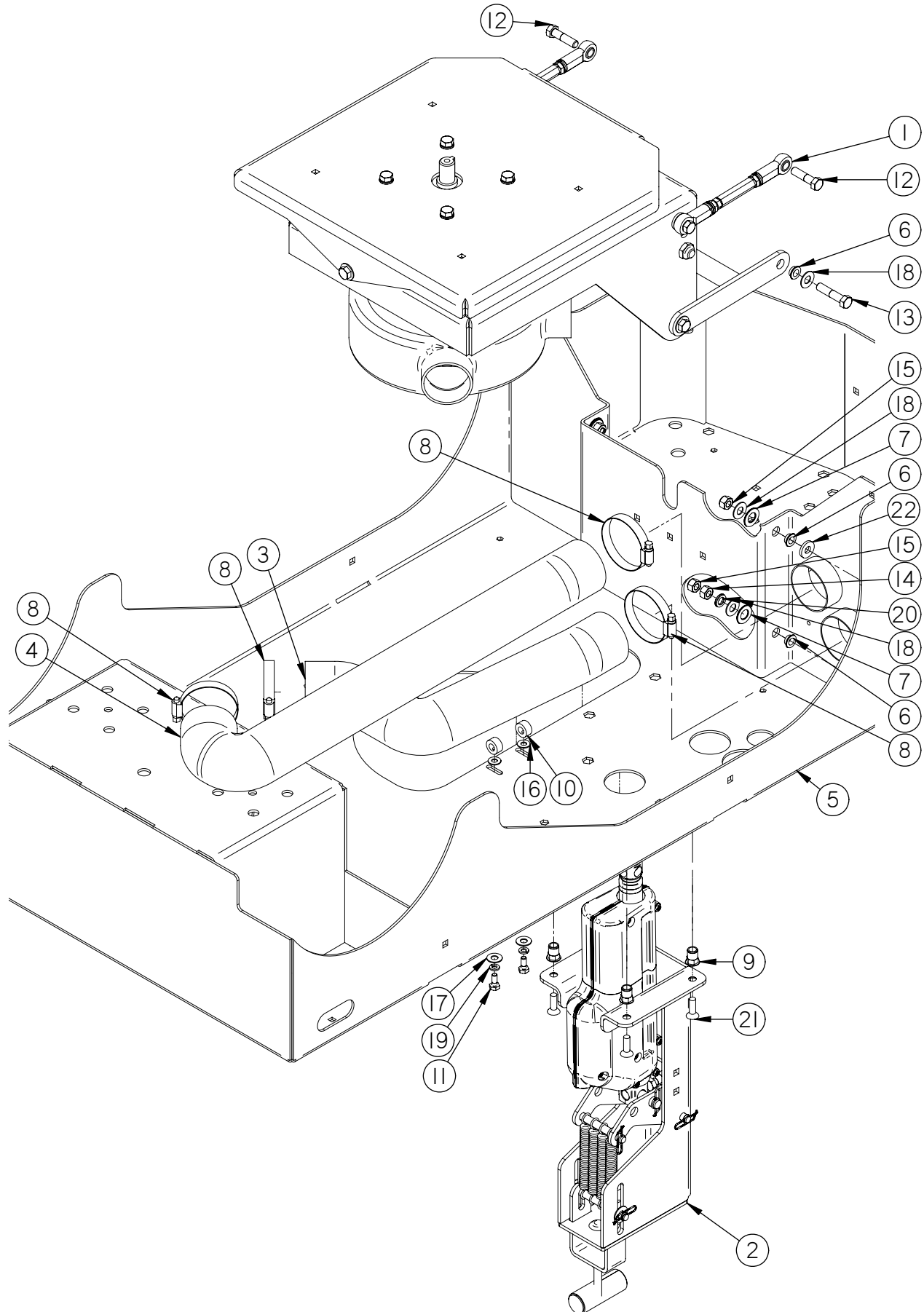


Item	Part No.	Part Description	Qty.
1	200-0999	DOWN PRESSURE STICKER	1
2	255-1082	ACTUATOR PIVOT	1
3	275-0999	HANDLE	1
4	275-1081	ACTUATOR UPRIGHT	1
5	275-1083	ACTUATOR SPRING AJUSTMENT BRACKET	1
6	275-2210	6" STROKE 36V ACTUATOR 1000 LB LOAD	1
7	290-1233	3/8" ID, 1/2" OD, 1/4" LG BEARING	2
8	H-01219	HCS 3/8"- 24 X 1 1/8" SS	1
9	H-0156756	CLEVIS PIN 3/8" x 3.00"	1
10	H-0156758	3/8" X 3-1/2" CLEVIS PIN	2
11	H-0156775	1/2" X 3" CLEVIS PIN	1
12	H-70712	HN 3/8"-16 SS	1
13	H-70732	HN 3/8"- 24 SS	1
14	H-71017	FW 3/8 ID X 7/8 OD SS	2
15	H-74443	CB 3/8"- 16 X 4.0" SS	1
16	H-96544	SPRING, 4-1/8" LG, 9/16 OD, (42E)	4
17	H-RUE14	3/8" RUE RING COTTER	3
18	H-RUE22	1/2" RUE RING COTTER	1



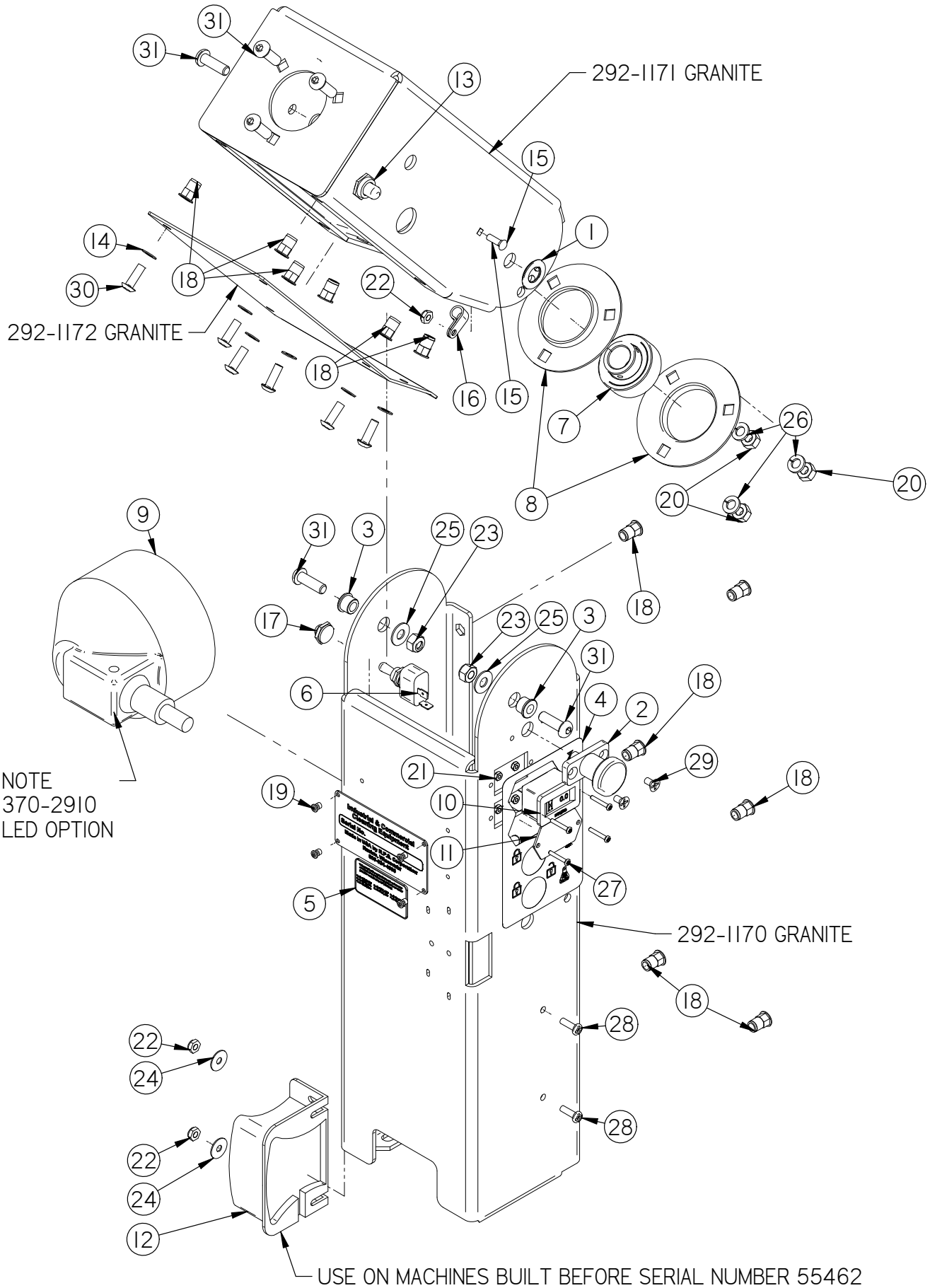
Mechanical Burnisher Actuator

Item	Part No.	Part Description	Qty.
1	255-1081	ACTUATOR UPRIGHT	1
2	255-1082	ACTUATOR PIVOT	1
3	255-1083	SPRING AJUSTMENT BRACKET	1
4	255-1084	MOTOR MOUNT	1
5	255-1086	ACTUATOR ADJUSTMENT SHAFT	1
6	275-2210	6" STROKE 36V ACTUATOR 1000 LB LOAD	1
7	290-1233	3/8" ID, 1/2" OD, 1/4" LG BEARING	2
8	5-223	LIMIT SWITCH	2
9	5-270	EMF SUPP DIODE	2
10	8-220	SIDE BROOM MOTOR	1
11	H-01219	HCS 3/8"- 24 X 1 1/8" SS	1
12	H-0156756	CLEVIS PIN 3/8" x 3.00"	1
13	H-0156758	3/8" X 3-1/2" CLEVIS PIN	1
14	H-0156775	1/2" X 3" CLEVIS PIN	1
15	H-25379	SETSCREW, KCP, 1/4"-20 X 1/4"	1
16	H-33372	SHAFT COLLAR, 3/8" ID	2
17	H-37032	JNYL, 1/2"-13, NTE	1
18	H-70001	HCS 1/4"-20 X 1/2 SS"	4
19	H-70732	HN 3/8"- 24 SS	1
20	H-71013	FW 1/4 ID X 5/8 OD SS	2
21	H-71015	FW 5/16 ID X 3/4 OD SS	4
22	H-71063	LW 1/4" SS	6
23	H-72418	PPH #8-32 X 1" S/S	4
24	H-923903	3/8" X 4" CLEVIS PIN	1
25	H-96545	SPRING, 4-1/8" LG, 9/16 OD, (42E)	4
26	H-M82550	HCS M6-1.0 X 20 SS	2
27	H-RUE14	3/8" RUE RING COTTER	3
28	H-RUE22	1/2" RUE RING COTTER	1
29	M-5909K31	NEEDLE ROLLER THRUST BEARING	1
30	M-5909K44	NEEDLE ROLLER THRUST BEARING WASHER	2



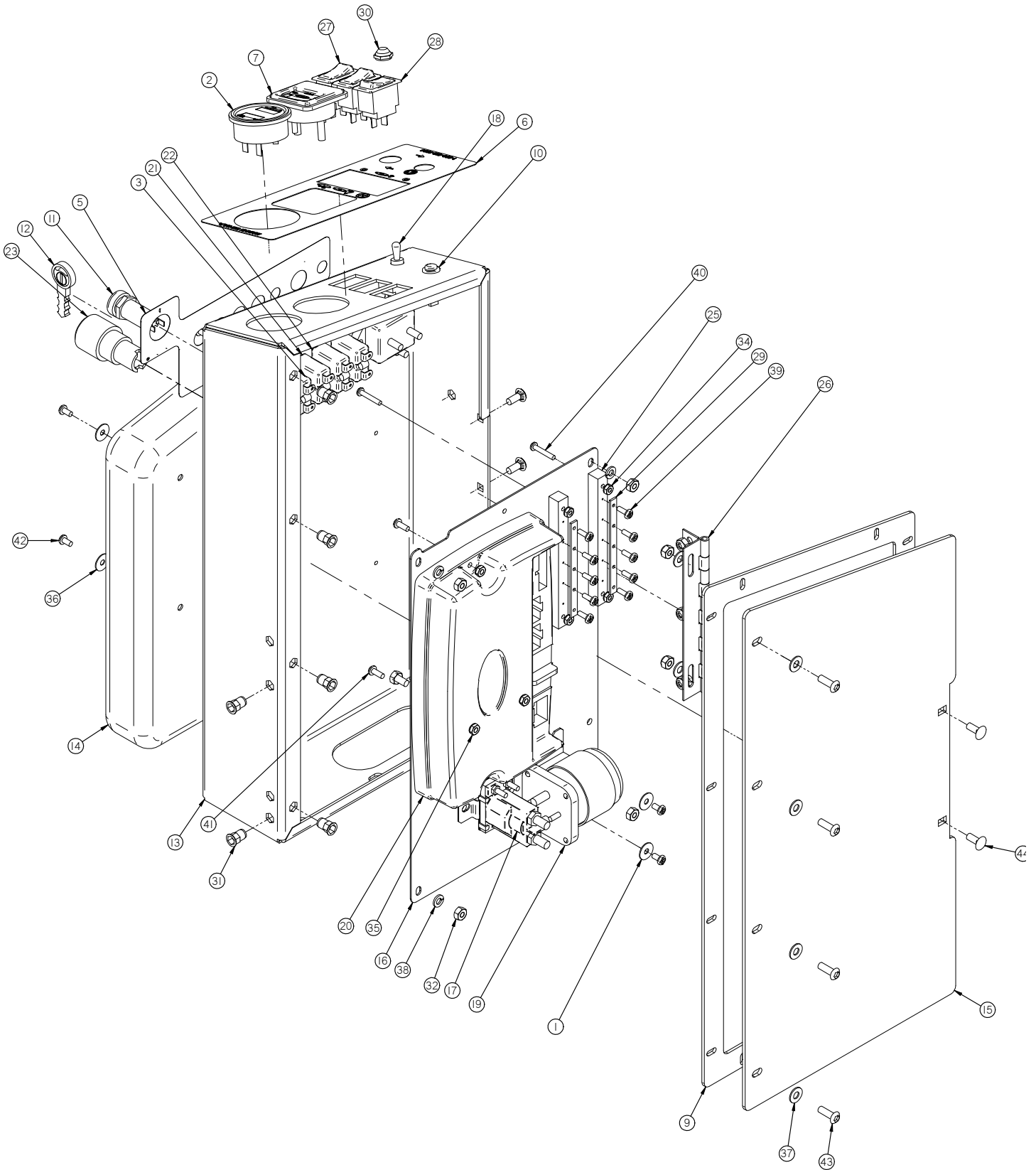
Deck and Actuator Tower

Item	Part No.	Part Description	Qty.
1		TILT BURNISHER DECK	1
2		ACTUATOR TOWER	1
3	255-0116	CLEAN AIR INTAKE HOSE	1
4	255-0117	CLEAN AIR INTAKE HOSE	1
5	255-1100	MAIN FRAME	1
6	290-1233	3/8" ID, 1/2" OD, 1/4" LG BEARING	6
7	290-1247	BRONZE THRUST BEARING, .50" ID X 1.0" OD X 1/16" TH	4
8	H-0427617	CLAMP 2" - 3"	4
9	H-312NCNL	HCS 5/16"-18 LG	4
10	H-33372	SHAFT COLLAR, 3/8" ID	2
11	H-70002	HCS 1/4"-20 X 5/8" SS	2
12	H-70109	HCS 3/8"- 16 X 1-1/2" SS	2
13	H-70110	HCS 3/8"- 16 X 1-3/4" SS	2
14	H-70712	HN 3/8"-16 SS	2
15	H-70862	NYLOK 3/8"-16 SS	4
16	H-71013	FW 1/4 ID X 5/8 OD SS	2
17	H-71015	FW 5/16 ID X 3/4 OD SS	2
18	H-71017	FW 3/8 ID X 7/8 OD SS	6
19	H-71063	LW 1/4" SS	2
20	H-71067	LW 3/8" SS	2
21	H-73908	FHSCS 5/16"- 18 X 1" SS	4
22	H-98025	FW 3/8" GRADE 8	2



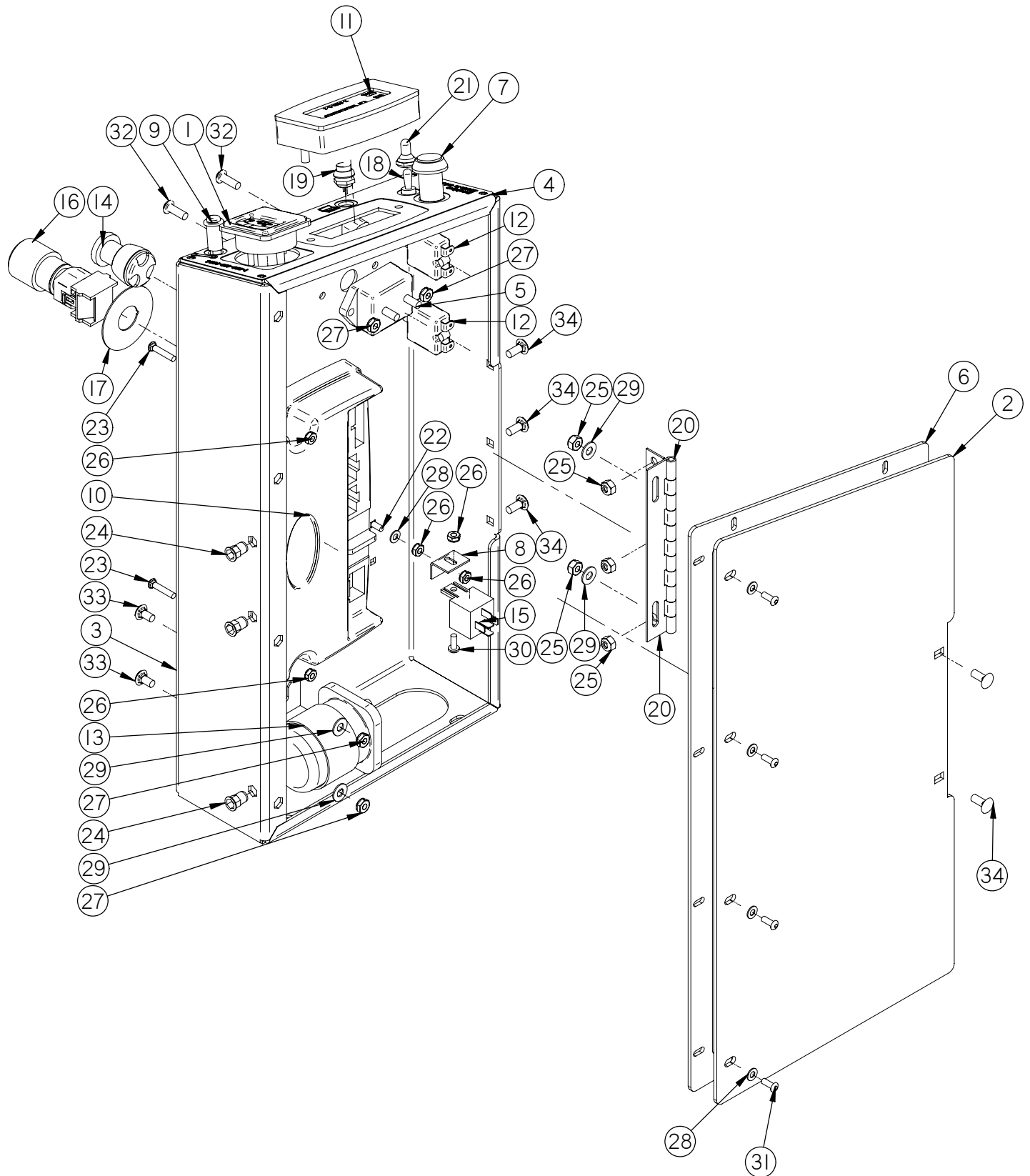
Steering Upright

Item	Part No.	Part Description	Qty.
1	290-1247	BRONZE THRUST BEARING, .50" ID X 1.0" OD X 1/16" TH	2
2	290-7050	INDEX PLUNGER	1
3	370-1245	BUSHING	2
4	370-7204	METER STICKER	1
5	370-7206	PATENT PLATE	1
6	370-8920	TOGGLE, ON-OFF SPST	1
7	4-352	BEARING	1
8	4-364A	FLANGE, 1.75" ID	2
9	430-2910	36V HEADLIGHT	1
10	8-262	HOUR METER	1
11	8-263	METER PLUG	1
12	8-292	BACKUP ALARM	1
13	8-294B	PUSH BUTTON SWITCH, SILVER	1
14	H-00282	FW 1/4" NYLON	6
15	H-0172519	CB #10-32 X 5/8" SS	1
16	H-02239	3/8" NYLON LOOP CLAMP	1
17	H-11200	PROTECTIVE BOOT, TOGGLE SWITCH, (BLACK)	1
18	H-250HCN	HCN 1/4"-20	12
19	H-41007	AB4-3A BLIND RIVET	4
20	H-70711	HN 5/16"- 18 SS	4
21	H-70854	NYLOK #4-40 SS	4
22	H-70858	NYLOK #10-32 SS	3
23	H-70861	NYLOK 5/16" - 18 SS	2
24	H-71010	FW #10 ID X 11/16 OD SS	2
25	H-71015	FW 5/16 ID X 3/4 OD SS	2
26	H-71065	LW 5/16" SS	4
27	H-72490	PPH #4-40 X 3/4" S/S	4
28	H-72517	PPH #10-32 X 5/8" SS	2
29	H-72681	FHP #10-32 X 3/8" SS	2
30	H-73754	BHSCS 1/4 - 20 X 3/4" SS	6
31	H-73780	BHSCS 5/16-18 X 1	6



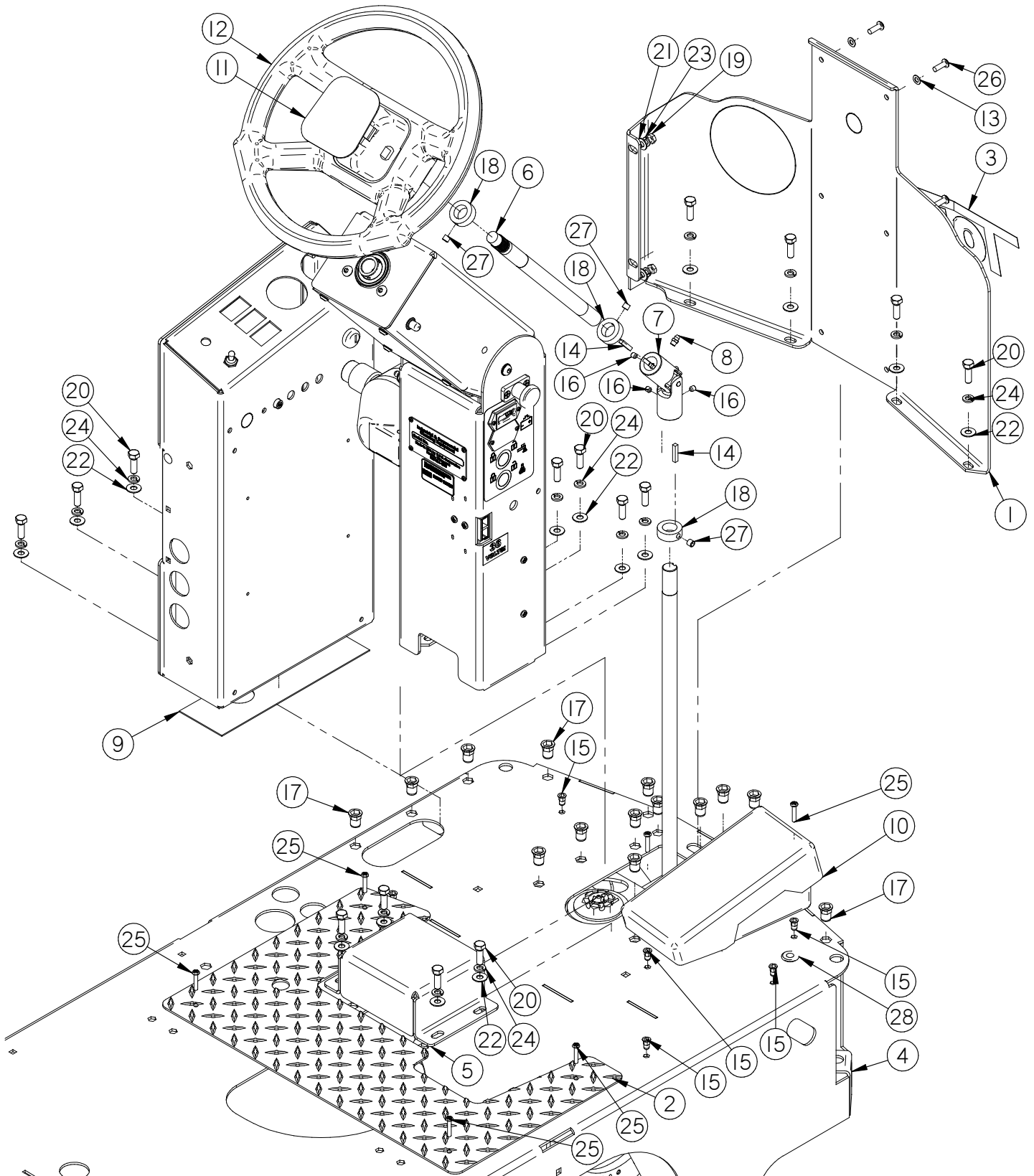
Central Command - Current Style

Item	Part No.	Part Description	Qty.
1			2
2	190-4855	24V BATTERY AND HOUR METER	1
3	190-9609	FUSE, RESETTABLE, 40 AMP	1
4*	250-7290	36V BATTERY WARNING PLATE	1
5	255-1500	255 CONTROL PANEL STICKER, FRONT	1
6	255-2013	255 CONTROL PANEL STICKER, TOP	1
7	275-0013	0 TO 100 AMP GAUGE 0-75 G 75-90 Y 90-100 R	1
8*	275-8000	80 AMP BREAKER	1
9	290-2004	ACCESS COVER GASKET	1
10	290-2300	LOW SOLUTION (AMBER)	1
11	290-234	KEY SWITCH (WITH KEY)	1
12	290-234A	KEY SET (REPLACE)	1
13	349-2010	CONTROL PANEL	1
14	370-0002	OPERATORS MANUAL HOLDER	1
15	370-2001	ACCESS COVER	1
16	370-2006	HARDWARE PANEL	1
17	370-2331	RELAY, 36V, SMALL W/FLAT MTG PLATE	1
18	370-8210	SWITCH, TOGGLE, ON/ON (DPDT)	1
19	390-2331	36V 200 AMP RELAY	1
20	390-2899	CONTROLLER V4	1
21	390-9610	FUSE, RESETTABLE, 10 AMP, 50V DC MAX	1
22	390-9615	FUSE, RESETTABLE, 15 AMP, 50V DC MAX	2
23	5-300	EMERGENCY SHUT OFF	1
24*	5-302	EMERGENCY CONTACT BLACK	1
25	7-287	BUSS BAR UHMW	2
26	8-180	HINGE, 6-7/8" S/S	1
27	8-231	SWITCH, ON-OFF ROCKER SPST	2
28	8-233	OFF-MOM SPST	1
29	E-5HBB	5 HOLE BUSS BAR	2
30	H-11196	PROTECTIVE BOOT, TOGGLE SWITCH, (RED)	1
31	H-250HCN	HCN 1/4"-20	8
32	H-70710	HN 1/4"- 20 SS	8
33*	H-70860	NYLOK 1/4"- 20 SS	5
34	H-70922	KN #8-32	4
35	H-70923	KN #10-32 SS	3
36	H-71010	FW #10 ID X 11/16 OD SS	4
37	H-71013	FW 1/4 ID X 5/8 OD SS	6
38	H-71063	LW 1/4" SS	4
39	H-72398	PPH #8-32 X 1/2" S/S	10
40	H-72418	PPH #8-32 X 1" S/S	4
41	H-72515	PPH #10-32 X 1/2" S/S	3
42	H-73742	PPH #10-32 X 3/8" S/S	4
43	H-73754	BHSCS 1/4 - 20 X 3/4" SS	8
44	H-74418	CB 1/4"- 20 X 5/8" S/S	5
45*	H-9307K74	GROMMET, 1" ID X 1-3/4" OD BUNA-N	3



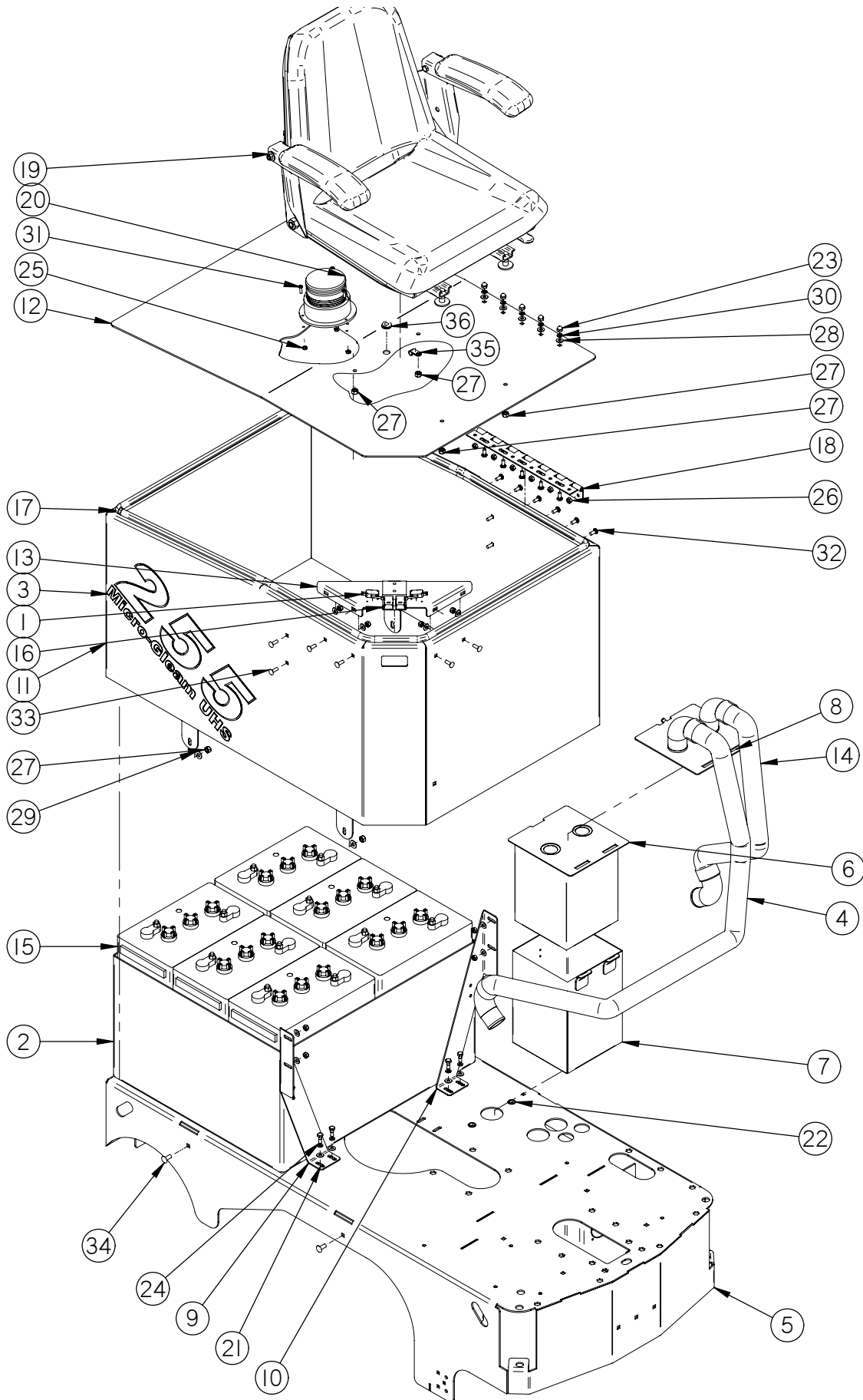
Central Command - Old Style

Item	Part No.	Part Description	Qty.
1	275-0013	0 TO 100 AMP GAUGE	1
2	275-2001	ACCESS COVER	1
3	275-2010	CONTROL PANEL	1
4	275-2013	CONTROL PANEL TOP PLATE	1
5	275-8000	80 AMP BREAKER	1
6	290-2004	ACCESS COVER GASKET	1
7	290-2015	ONE TOUCH BUTTON	1
8	290-2020	BRACKET	1
9	290-2300	LOW SOLUTION (AMBER)	1
10	290-2890	COMPUTER CONTROL V2	1
11	290-2891	LCD SCREEN	1
12	290-8370	FUSE, RESETTABLE, 50 AMP, 50V DC MAX	2
13	390-2331	36V 200 AMP RELAY	1
14	4-234	KEY SWITCH	1
15	5-293	15 AMP RELAY	1
16	5-300	EMERGENCY SHUT OFF	1
17	5-301	EMERGENCY LEGEND PLATE	1
18	5-892	TOGGLE, ON-OFF SPST	2
19	7-229	PUSH BUTTON SWITCH	1
20	8-180	HINGE, 6-7/8" S/S	1
21	H-01196	PROTECTIVE BOOT, TOGGLE SWITCH, (RED)	1
22	H-0172518	CB #10-32 X 1/2" SS	1
23	H-0172521	CB #10-32 X 1" SS	2
24	H-250HCN	HCN 1/4"-20	3
25	H-70860	NYLOK 1/4"- 20 SS	5
26	H-70923	KN #10-32 SS	5
27	H-70925	KN 1/4-20 S/S	4
28	H-71009	FW #10 SS	5
29	H-71013	FW 1/4 ID X 5/8 OD SS	4
30	H-72515	PPH #10-32 X 1/2" S/S	1
31	H-73743	BHSCS 10-32 X 1/2" SS	4
32	H-73754	BHSCS 1/4 - 20 X 3/4" SS	2
33	H-74417	CB 1/4"- 20 X .5" SS	2
34	H-74418	CB 1/4"- 20 X 5/8" S/S	5



Steering Tower, Central Command, and Apron

Item	Part No.	Part Description	Qty.
1	250-1180	FRONT APRON	1
2	250-1610	NON SKID FLOOR PLATE	1
3	250-7201	MOLD ON TOMCAT STICKER	1
4	255-1100	MAIN FRAME	1
5	290-1173	DRIVE COVER	1
6	290-7090	STEERING SHAFT, UPPER	1
7	290-7110	U-JOINT	1
8	290-7111	1/4-28 ZERK FITTING	1
9	370-2004	CENTRAL COMMAND DUST CURTAIN	1
10	8-290	FOOT PEDAL	1
11	8-701A	STEERING COVER	1
12	8-703	STEERING WHEEL	1
13	H-00282	FW 1/4" NYLON	6
14	H-01125	3/16" X 1" KEY	2
15	H-02309	HCN #10-32, LG CRIMP	6
16	H-25379	SETSCREW, KCP, 1/4"-20 X 1/4"	3
17	H-312NCNL	HCN 5/16"-18 LG	15
18	H-33376	SHAFT COLLAR, 3/4" ID X 9/16 LG	3
19	H-70003	HCS 1/4"-20 X 3/4" SS	2
20	H-70055	HCS 5/16"- 18 X 1" SS	15
21	H-71013	FW 1/4 ID X 5/8 OD SS	2
22	H-71015	FW 5/16 ID X 3/4 OD SS	15
23	H-71063	LW 1/4" SS	2
24	H-71065	LW 5/16" SS	15
25	H-72536	PPH #10-32 X 1" S/S	6
26	H-73754	BHSCS 1/4 - 20 X 3/4" SS	6
27	H-81983	5/16" X 1/4" KURL SET SCREW	3
28	M-9307K23	GROMMET, 3/8 ID X 7/8 OD X 1/8 TH.	1



Batteries, Seat, and Filter Box

Item	Part No.	Part Description	Qty.
1	21-2230	MICRO SWITCH	2
2	255-0000	255 BATTERY BOX	1
3	255-0001	255 STICKER	2
4	255-0115	SHROUD HOSE	1
5	255-1100	MAIN FRAME	1
6	255-1102	FILTER BAG	1
7	255-1105	VAC BOX	1
8	255-1106	VAC BOX LID	1
9	255-1202	SUPPORT STRAP, (RH)	1
10	255-1203	SUPPRT STRAP (LH)	1
11	255-9514	BATTERY COMPARTMENT	1
12	255-9515	BATTERY COMPARTMENT LID	1
13	255-9516	CHARGER BRACKET	1
14	290-0115	SHROUD HOSE	1
15	290-2110	L 16 H BATTERY 6 VOLT 395 AH	6
16	390-2576	350 GREY CONNECTOR WITH I/O CONTACTS	1
17	390-4101	PUSH-ON RUBBER GASKET 78" LG	1
18	430-1225	13" SS HINGE	1
19	8-143	SEAT WITH ARM RESTS	1
20	8-293	STROBE LIGHT	1
21	H-00918	HCN 1/4"-20 LG	4
22	H-312NCNL	HCN 5/16"-18 LG	2
23	H-37708	1/4-20 LC ACORN NUT	5
24	H-70003	HCS 1/4"-20 X 3/4" SS	4
25	H-70858	NYLOK #10-32 SS	3
26	H-70860	NYLOK 1/4"- 20 SS	14
27	H-70861	NYLOK 5/16" - 18 SS	8
28	H-71013	FW 1/4 ID X 5/8 OD SS	17
29	H-71015	FW 5/16 ID X 3/4 OD SS	4
30	H-71063	LW 1/4" SS	9
31	H-72517	PPH #10-32 X 5/8" SS	3
32	H-74418	CB 1/4"- 20 X 5/8" S/S	11
33	H-74419	CB 1/4"- 20 X .75" SS	8
34	H-74429	CB 5/16"- 18 X 3/4" SS	4
35	H-8863	3/8" VINYL LOOP CLAMP	1
36	M-9307K23	GROMMET, RUBBER 3/8 ID X 7/8 OD X 1/8 TH.	1

Common Wear Parts

Pad	Results	Part Number
Aqua Burnish Pad	Aqua Burnish Pad is synthetic fibers recommended for frequent burnishing on soft to medium floor finishes.	20-310020
Natural Blend White Pad	Natural Blend White Pad is a mixture of natural hair and synthetic fibers for best gloss on various finishes and traffic conditions.	20-330020
Tan Burnish Pad	Tan Burnish Pad is synthetic fibers for harder finishes or high-traffic areas. Produces a brilliant wet-look gloss. Best mark removal.	20-340020
Tan Natural Burnisher Pad	Tan Natural Burnisher Pad is a mixture of natural hair and synthetic fiber for scratch and scuff removal on harder finishes or high-traffic areas.	20-350020
Pink Eraser Burnisher Pad	Pink Eraser Burnisher Pad is synthetic fibers designed to remove black scuff marks in fewer passes and is ideal for heavy-traffic floors.	20-360020

255 Suggested Parts Inventory

Quantity	Part #	Description
2	255-6180	Rear Wheel
2	275-3010	Pad Driver Belt
1	290-2891	LCD Screen
1	290-2015	One-Touch Button
1	7-229	Push Button Switch
1	275-2013	Control Panel Top Plate
1	250-7201	Tomcat Sticker
1	255-1102	Filter Bag
2	255-0001	255 Stickers
1	8-290	Foot Pedal
1	H-01196	Red Boot

BLANK

THIS PAGE WAS INTENTIONALLY LEFT BLANK

BLANK

THIS PAGE WAS INTENTIONALLY LEFT BLANK

TOMCAT[®]

1711 South Street
Racine, WI 53404
www.tomcatequip.com
Tel. US: 800-450-9824
Tel. Int: (001) 262-681-6470