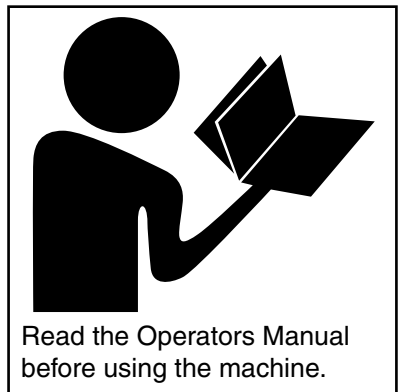
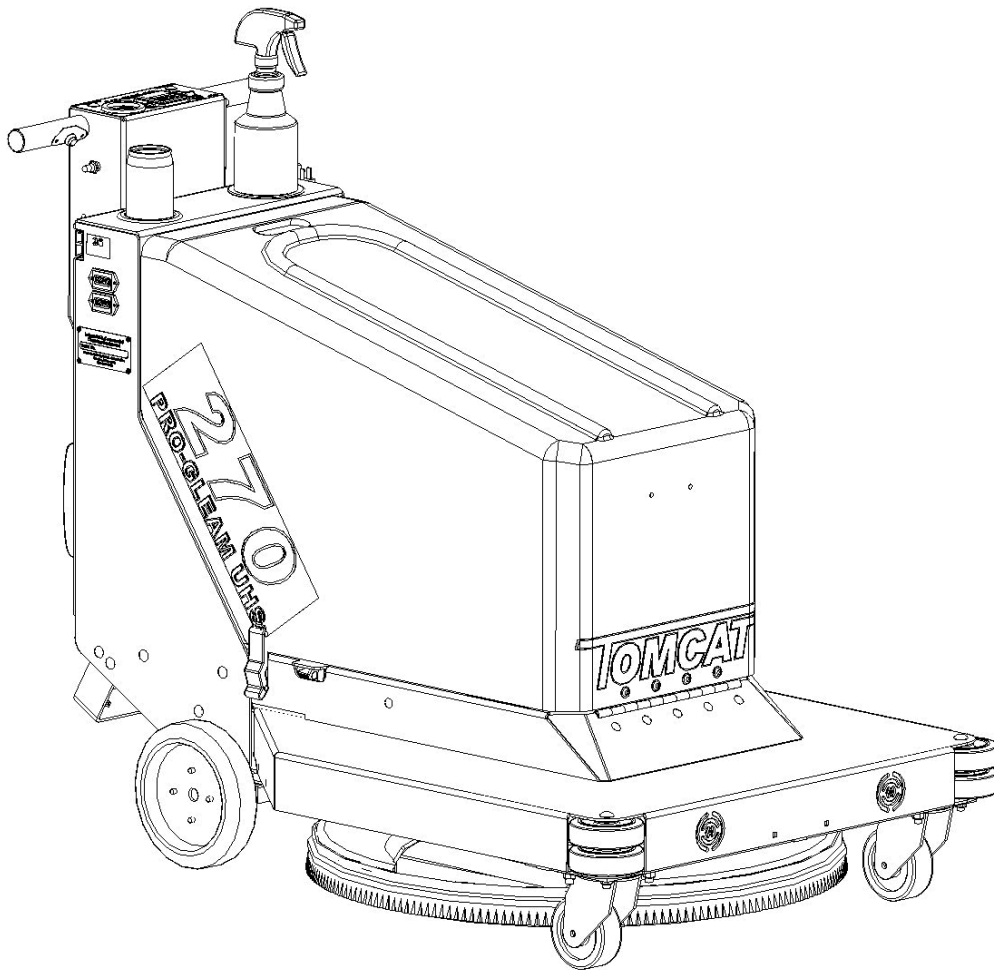


# TOMCAT®

# 270

## Parts Manual (EN)



www.tomcatequip.com  
1711 South Street  
Racine, WI 53404 (USA)  
(800) 450-9824 | (+001) 262-681-6470  
© 2018 RPS Corporation

Scan With Phone for more Information

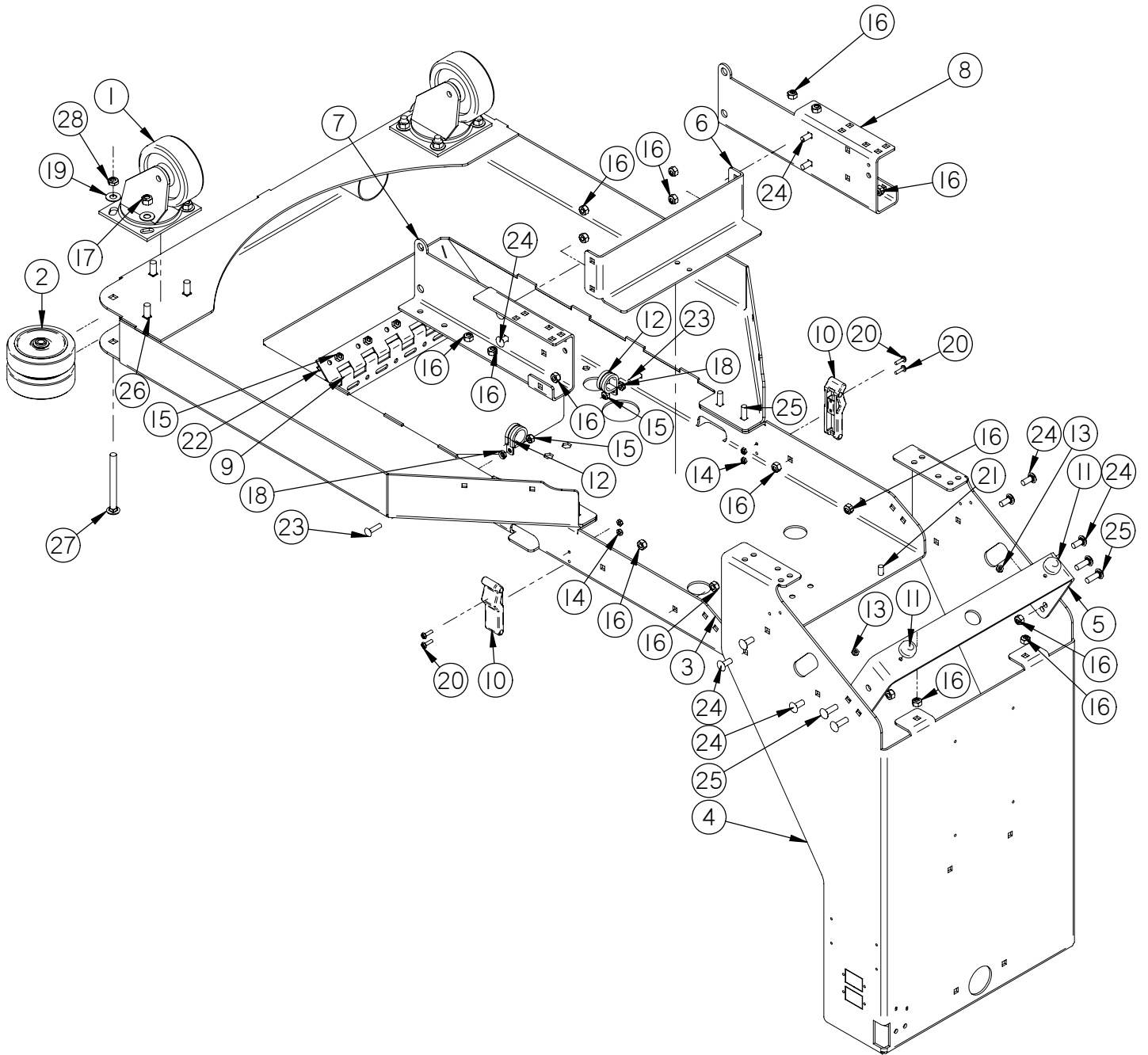


V18.163  
TC-270-P-EN



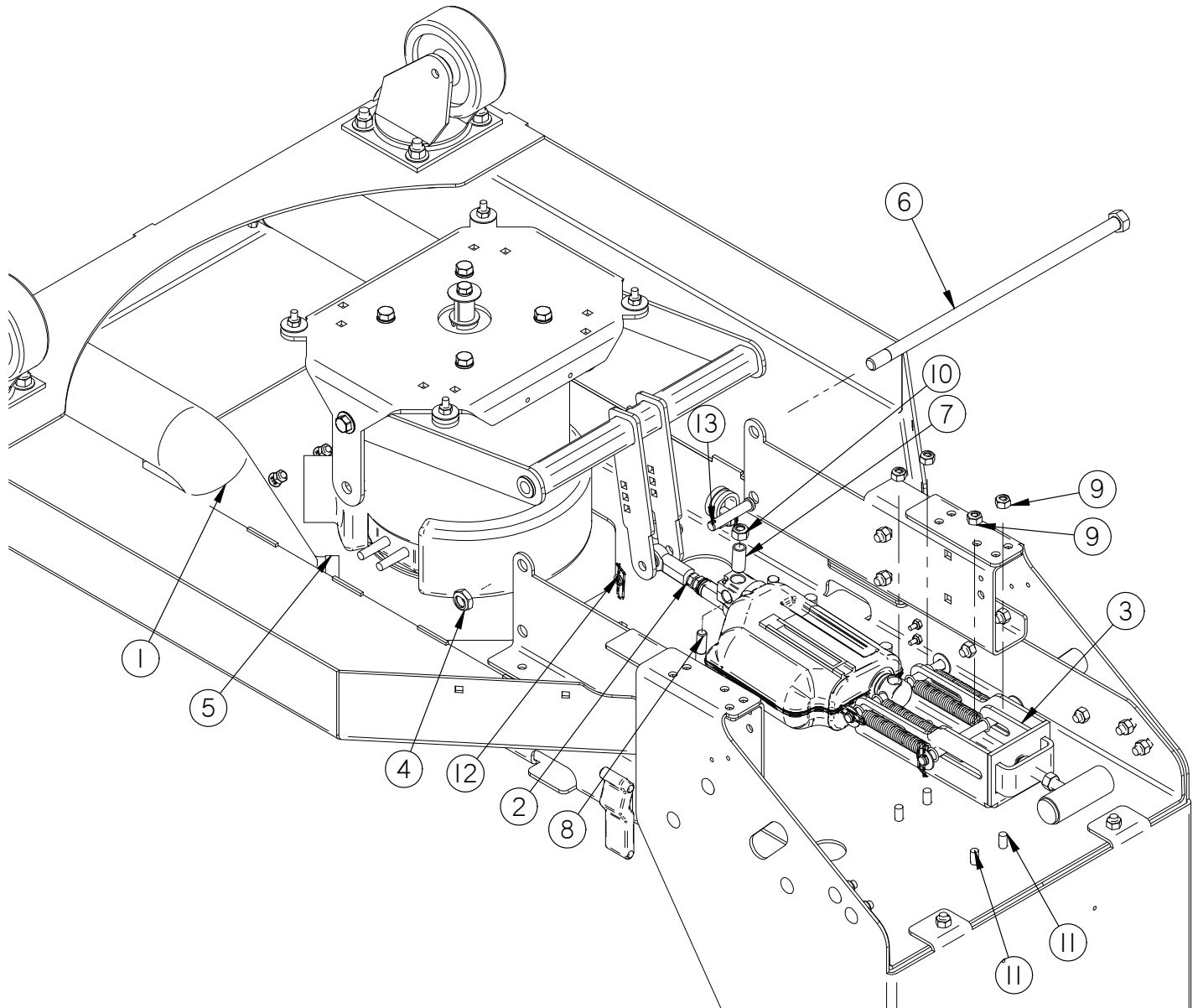
---

Casters and Upright .....	4
Deck and Actuator .....	6
Burnisher Deck .....	8
Transaxle and Central Command .....	10
Pad Assist.....	12
Central Command .....	14
Batteries and Charger .....	16
Common Wear Parts .....	18



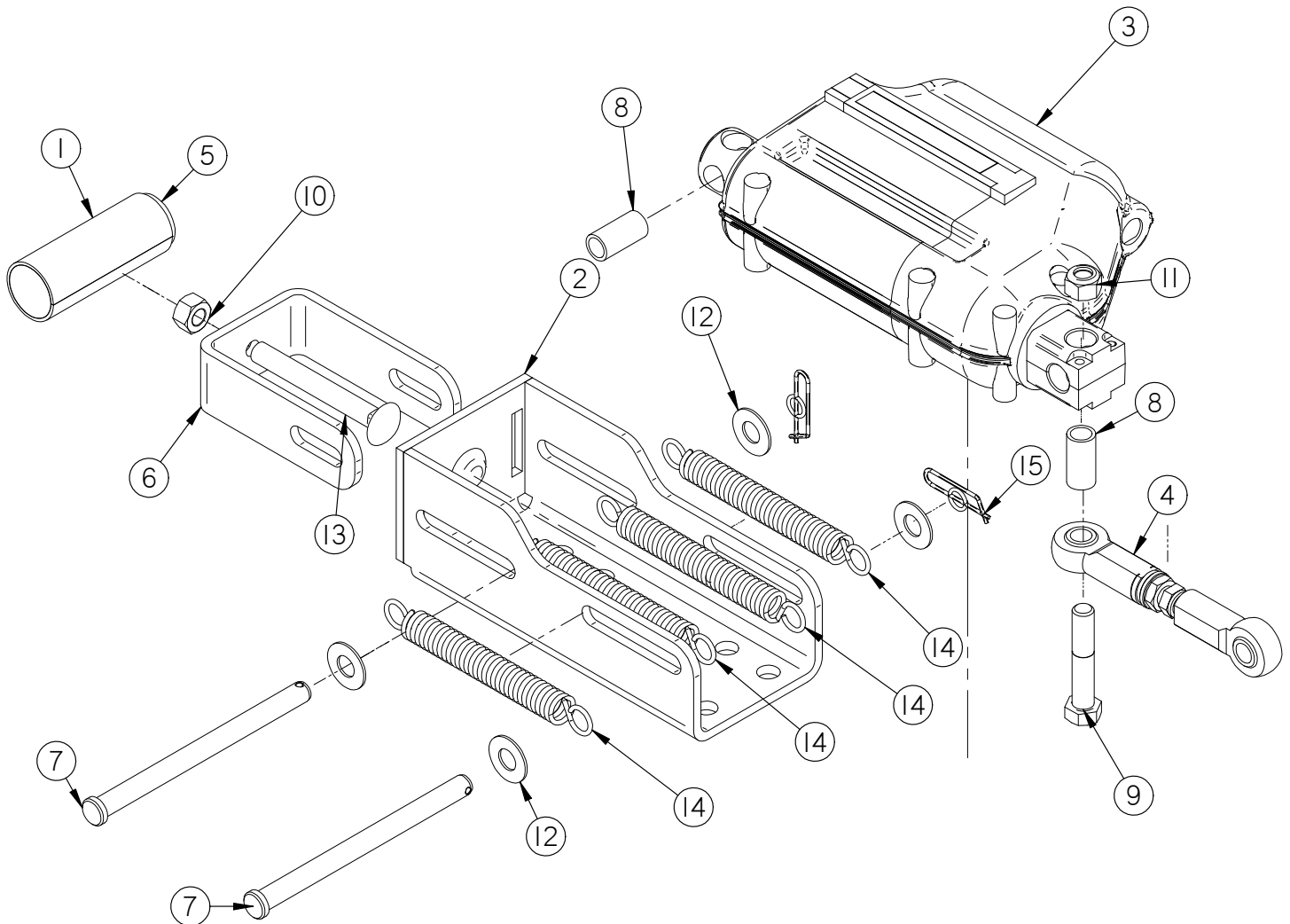
**Casters and Upright**

Item	Part No.	Part Description	Qty.
1	170-3030	CASTER, NON-MARKING	2
2	190-3030	4.0" WHEEL (GRAY)	4
3	200-1000	270 MAIN FRAME	1
4	200-1002	REAR UPRIGHT	1
5	200-1005	SUPPORT ARM	1
6	200-2001	FRAME STIFFENER	1
7	270-1009	REAR SUPPORT BRACKET - RH	1
8	270-1010	REAR SUPPORT BRACKET - LH	1
9	390-1225	11" SS HINGE	1
10	4-124	LATCH	2
11	H-01201	GROMMET	2
12	H-0127296	1.0" LOOP CLAMP	2
13	H-0129154	JAM NYLOK #10-24 SS	2
14	H-0170996	JAM NYLOK #8-32 SS	4
15	H-70860	NYLOK 1/4" - 20 SS	5
16	H-70861	NYLOK 5/16" - 18 SS	20
17	H-70862	NYLOK 3/8" - 16 SS	6
18	H-70925	KN 1/4-20 S/S	2
19	H-71017	FW 3/8 ID X 7/8 OD SS	8
20	H-72399	PPH #8-32 X 5/8" S/S	4
21	H-73907	FHSCS 5/16" - 18 X 3/4" SS	1
22	H-74418	CB 1/4" - 20 X 5/8" S/S	1
23	H-74420	CB 1/4" - 20 X 1.0" SS	2
24	H-74429	CB 5/16" - 18 X 3/4" SS	10
25	H-74430	CB 5/16" - 18 X 1" SS	7
26	H-74436	CB 3/8" - 16 X 1.0" SS	6
27	H-74443	CB 3/8" - 16 X 4.0" SS	2
28	H-NJ06C	JNYL 3/8- 16 SS	2

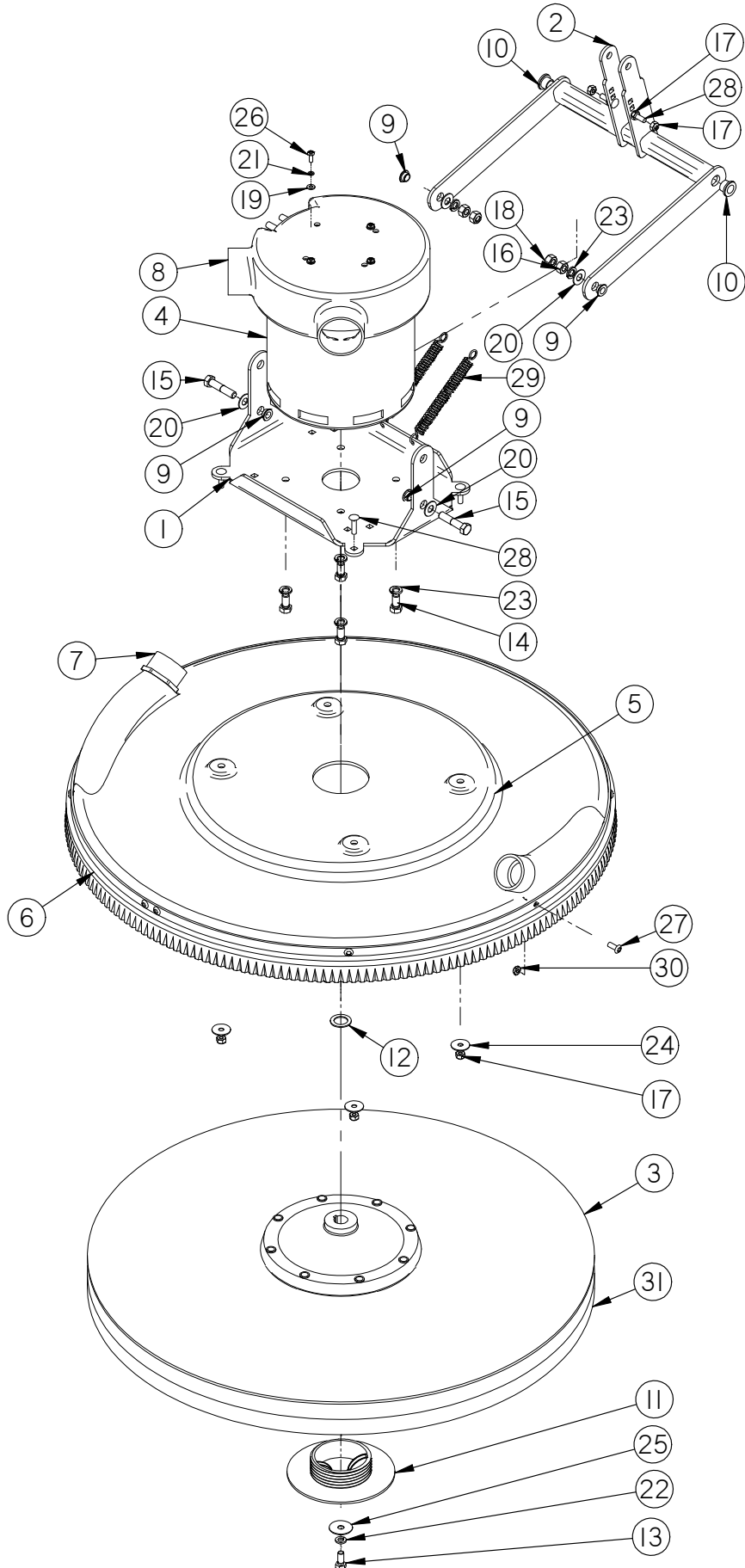


Item	Part No.	Part Description	Qty.
1	270-0115	MOTOR VENT HOSE	1
2	270-8440	ADJUSTABLE LATERAL ARM	1
3	903	SUB #903 200 ACTUATOR SLIDE ASSEMBLY	1
4	H-0129159	JNYL, 1/2"-13, 18-8 SS	1
5	H-0427617	CLAMP 2" - 3"	4
6	H-15237	HCS 1/2"- 13 X 13" GRADE 8	1
7	H-63917	SLEEVE, .50 OD X .375 ID X 1.0 LG	1
8	H-70111	HCS 3/8"- 16 X 2" SS	1
9	H-70861	NYLOK 5/16" - 18 SS	6
10	H-70862	NYLOK 3/8"-16 SS	1
11	H-73907	FHSCS 5/16"- 18 X 3/4" SS	4
12	H-RUE14	3/8" RUE RING COTTER	1
13	H-ZCPI70	CLEVIS PIN, 3/8" X 2"	1

## Actuator Slide



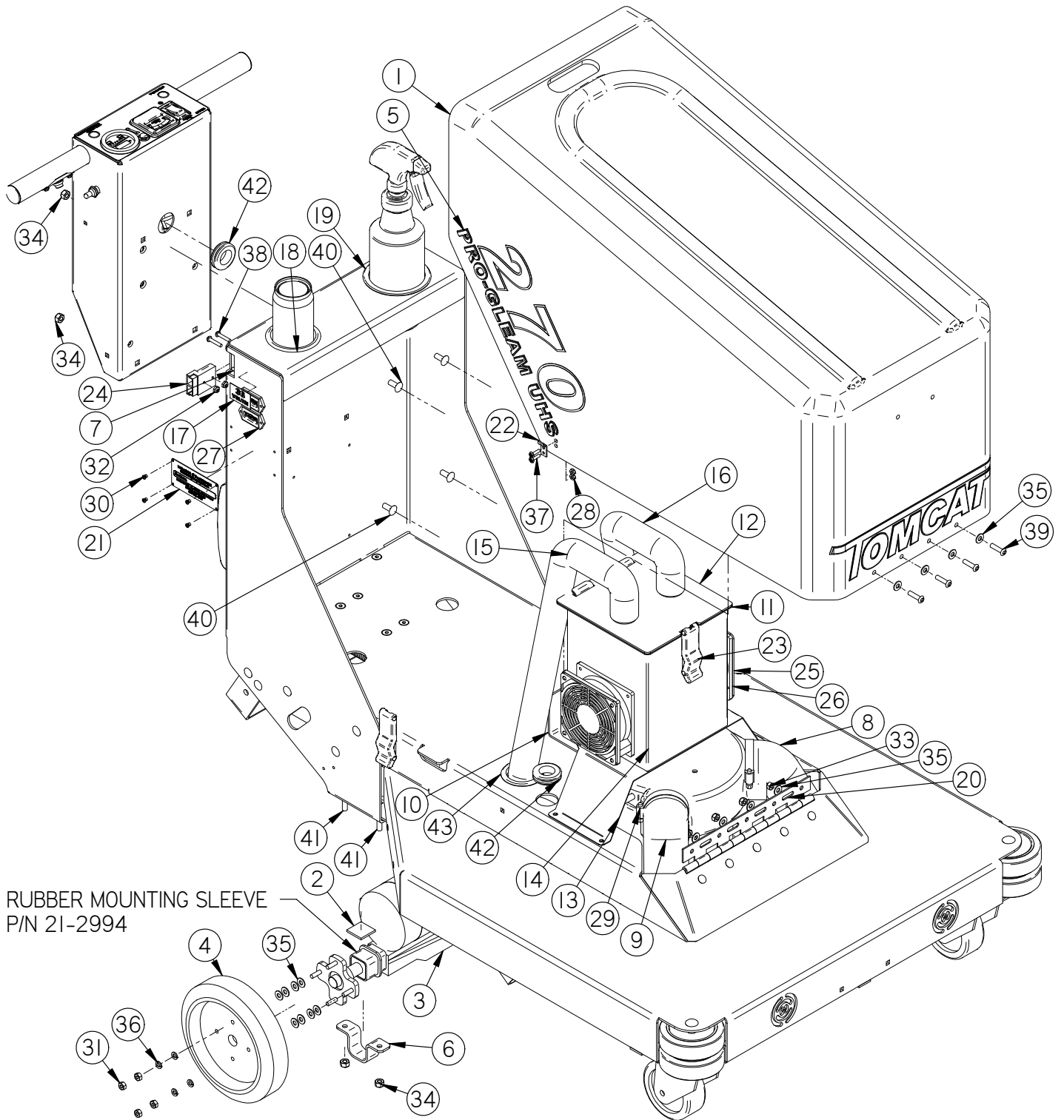
Item	Part No.	Part Description	Qty
1	200-0999	DOWN PRESSURE STICKER	1
2	200-1081	ACTUATOR SLIDE	1
3	200-2240	2 INCH STROKE 36 VOLT ACTUATOR	1
4	270-8440	ADJUSTABLE LATERAL ARM	1
5	275-0999	HANDLE	1
6	275-1083	ACTUATOR SPRING AJUSTMENT BRACKET	1
7	H-04804	3/8" X 5" CLEVIS PIN	2
8	H-63917	SLEEVE, .50 OD X .375 ID X 1.0 LG	2
9	H-70111	HCS 3/8"- 16 X 2" SS	1
10	H-70712	HN 3/8"-16 SS	1
11	H-70862	NYLOK 3/8"-16 SS	1
12	H-71017	FW 3/8 ID X 7/8 OD SS	4
13	H-74441	CB 3/8"- 16 X 3.0" SS	1
14	H-96545	SPRING, 4-1/8" LG, 9/16 OD, (42E)	4
15	H-RUE14	3/8" RUE RING COTTER	2





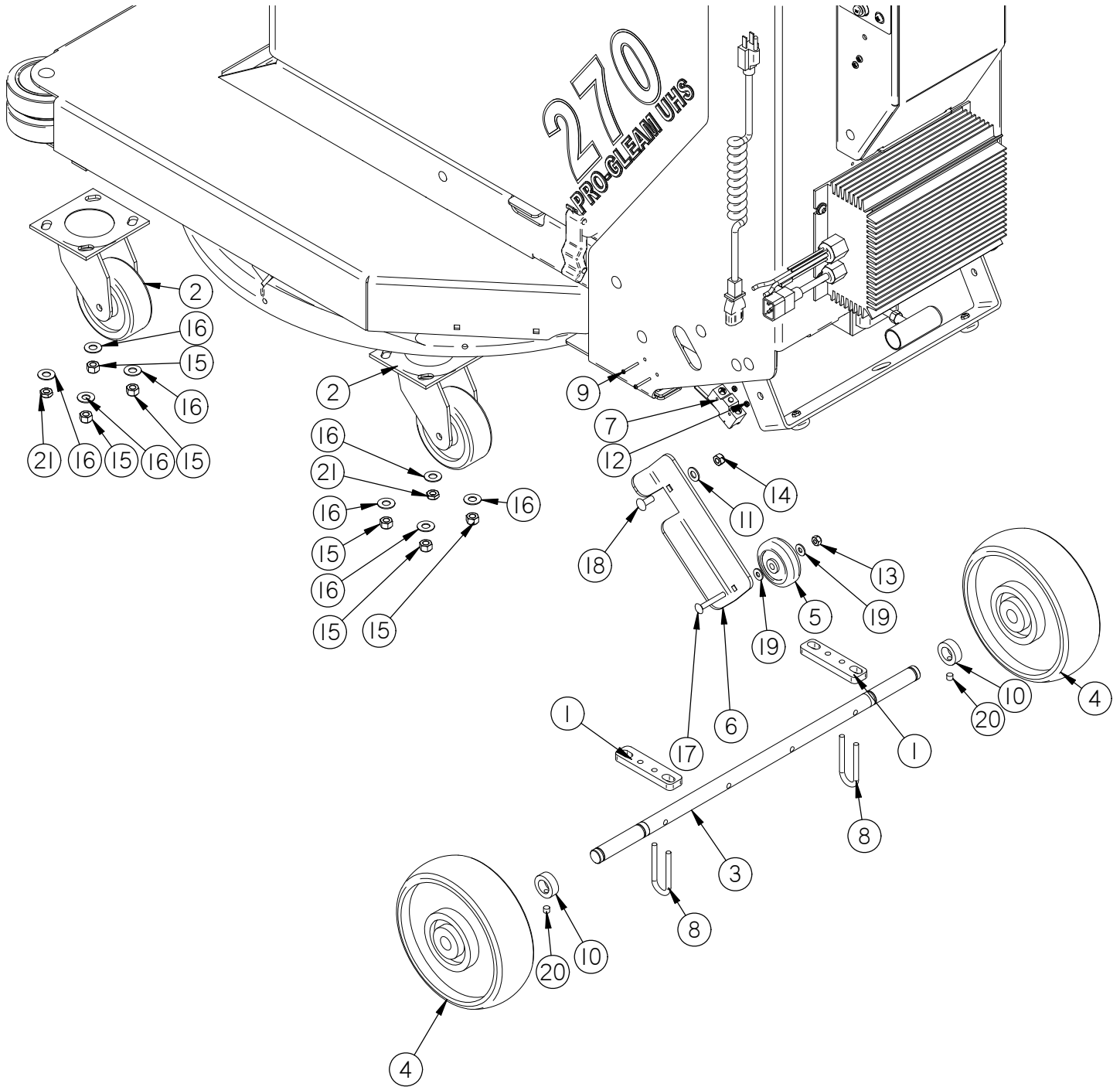
**Burnisher Deck**

Item	Part No.	Part Description	Qty
1	200-1006	SCRUB DECK	1
2	200-1241	27" LIFT ARM	1
3	200-9568	27" DRIVER PLATE	1
4	255-9506	MOTOR, 36V 85 AMPS 1600 RPM 3.25 HP	1
5	275-0001	27" BURNISHER SHROUD	1
6	275-0016	SHROUD CURTAIN	1
7	275-1201	1-1/4 NPT TO 2" OD ADAPTER	2
8	275-9501	MOTOR COVER	1
9	290-1233	3/8" ID, 1/2" OD, 1/4" LG BEARING	4
10	290-1246	1/2" ID X 5/8" OD X 1/2" LG FLANGED BEARING	2
11	40-434	DRIVER SCREW IN PAD LOCK	1
12	H-00222	FW 3/4" ID X 1 1/8" OD X 3/32" SS	1
13	H-70091	HCS 5/16"- 24 X 3/4" SS	1
14	H-70102	HCS 3/8"-16 X 5/8" SS	4
15	H-70110	HCS 3/8"- 16 X 1-3/4" SS	2
16	H-70712	HN 3/8"-16 SS	2
17	H-70860	NYLOK 1/4"- 20 SS	8
18	H-70862	NYLOK 3/8"-16 SS	2
19	H-71009	FW #10 SS	4
20	H-71017	FW 3/8 ID X 7/8 OD SS	4
21	H-71059	LW #10, SS	4
22	H-71065	LW 5/16" SS	1
23	H-71067	LW 3/8" SS	6
24	H-71212	FNW 1/4 ID X 1.0 OD SS	4
25	H-71213	FNW 5/16 ID X 1-1/4 OD SS	1
26	H-72515	PPH #10-32 X 1/2" S/S	4
27	H-73753	BHSCS 1/4 - 20 X 5/8" SS	9
28	H-74420	CB 1/4"- 20 X 1.0" SS	6
29	H-96544	SPRING, 4-1/8" LG X 9/16" OD (42E)	2
30	H-NJ04C	JNYL 1/4" - 20 SS	9
31	SEE COMMON WEAR PARTS	27" BURNISHER PAD	1



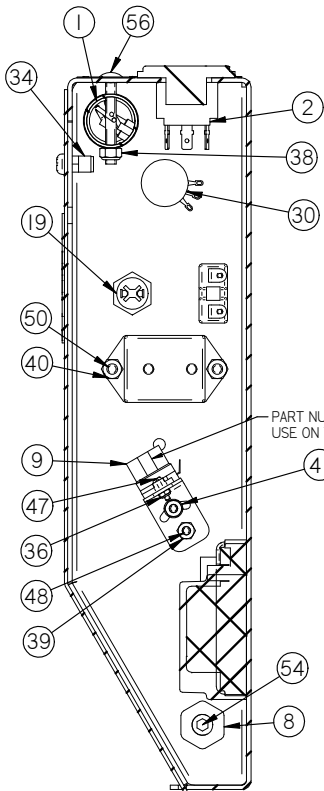
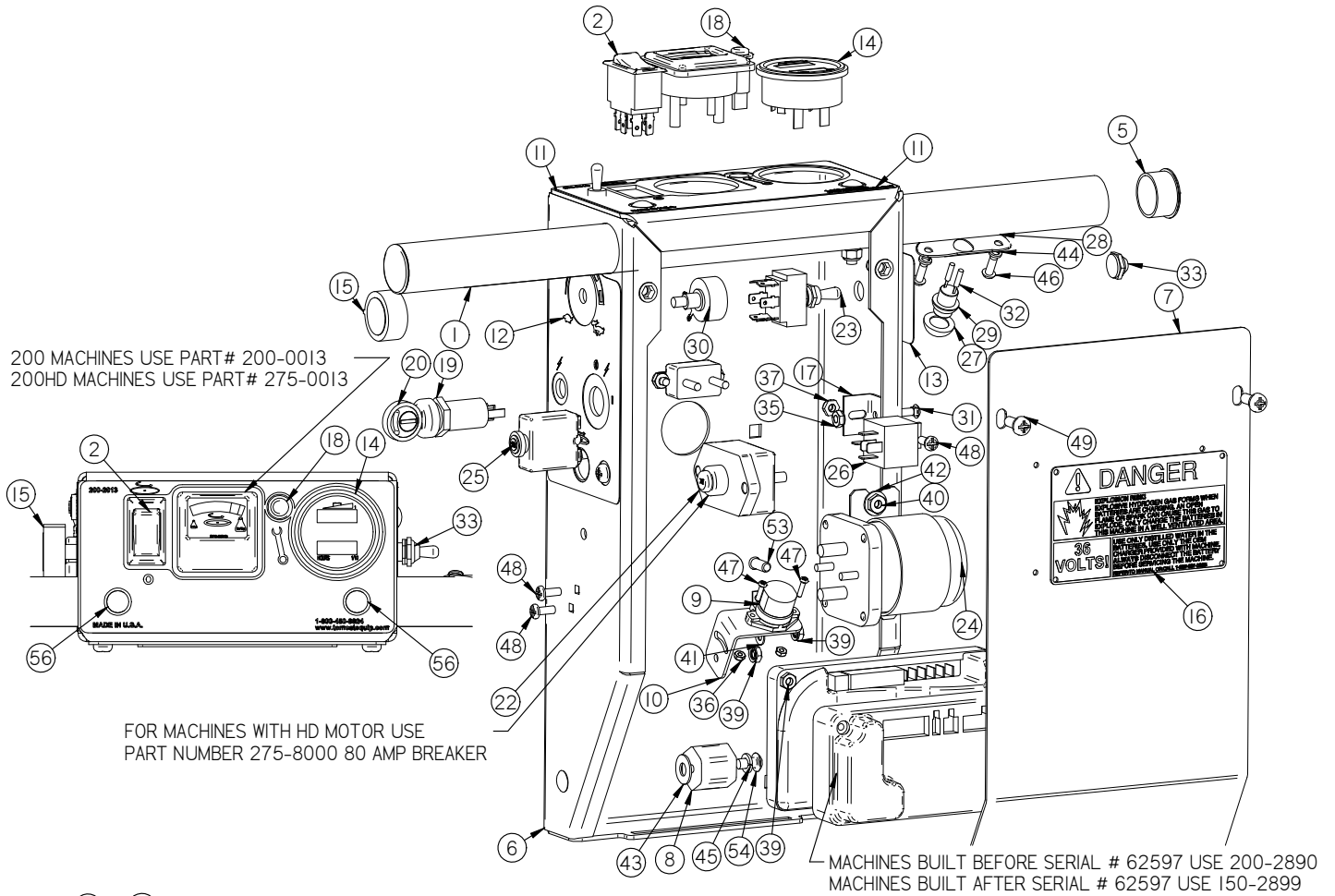
## Transaxle and Central Command

Item	Part No.	Part Description	Qty.
1	200-1001	200/240 COVER	1
2	200-1171	SHOCK ABSORPTION PAD	2
3	200-3000	36V TRANSAXLE	1
4	200-3010	WHEEL	2
5	200-9505	270 DECAIL	2
6	21-1010	AXLE MOUNT	2
7	21-2230	MICRO SWITCH	1
8	250-0116	MOTOR VENT HOSE	1
9	250-0116	MOTOR VENT HOSE	1
10	253-1470	BATTERY TRAY BRACKET	1
11	255-1102	FILTER BAG	1
12	255-1106	VAC BOX LID	1
13	270-1104	VAC BOC BRACKET	1
14	270-1106	ACTIVE VAC BOX	1
15	290-0115	RIGHT SIDE DUST HOSE	1
16	290-0115	LEFT SIDE DUST HOSE	1
17	290-1506	36 VOLT STICKER	1
18	349-0014	CUP HOLDER	1
19	370-0014	CUP HOLDER	1
20	390-1225	11" SS HINGE	1
21	4-101	SERIAL NUMBER PLATE	1
22	4-124	CLIP, LATCH	2
23	4-124	LATCH	1
24	4-260	CONNECTOR, GREY 50	1
25	5-212A	FAN COVER	2
26	5-218	48 VOLT COOLING FAN	2
27	8-262	HOUR METER	2
28	H-0170996	JAM NYLOK #8-32 SS	4
29	H-0427617	CLAMP 2" - 3"	2
30	H-41007	AB4-3A BLIND RIVET	4
31	H-70710	HN 1/4"- 20 SS	8
32	H-70858	NYLOK #10-32 SS	2
33	H-70860	NYLOK 1/4"- 20 SS	4
34	H-70861	NYLOK 5/16" - 18 SS	8
35	H-71013	FW 1/4 ID X 5/8 OD SS	24
36	H-71063	LW 1/4" SS	8
37	H-72399	PPH #8-32 X 5/8" S/S	4
38	H-72536	PPH #10-32 X 1" S/S	2
39	H-73755	BHSCS 1/4 - 20 X 1" SS	4
40	H-74429	CB 5/16"- 18 X 3/4" SS	4
41	H-74430	CB 5/16"- 18 X 1" SS	4
42	H-9307K74	GROMMET, 1" ID X 1-3/4" OD BUNA-N	2
43	H-9307K74	GROMMET, 2" ID X 2-5/8" OD BUNA-N	2

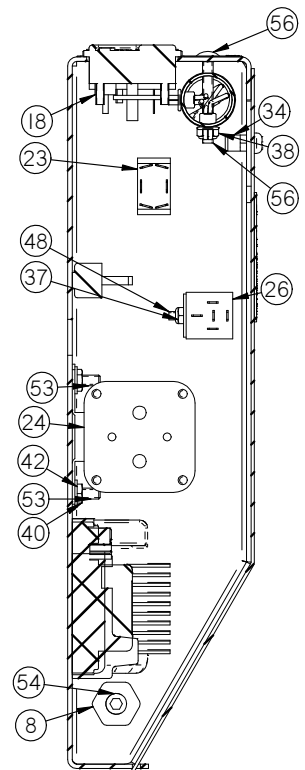
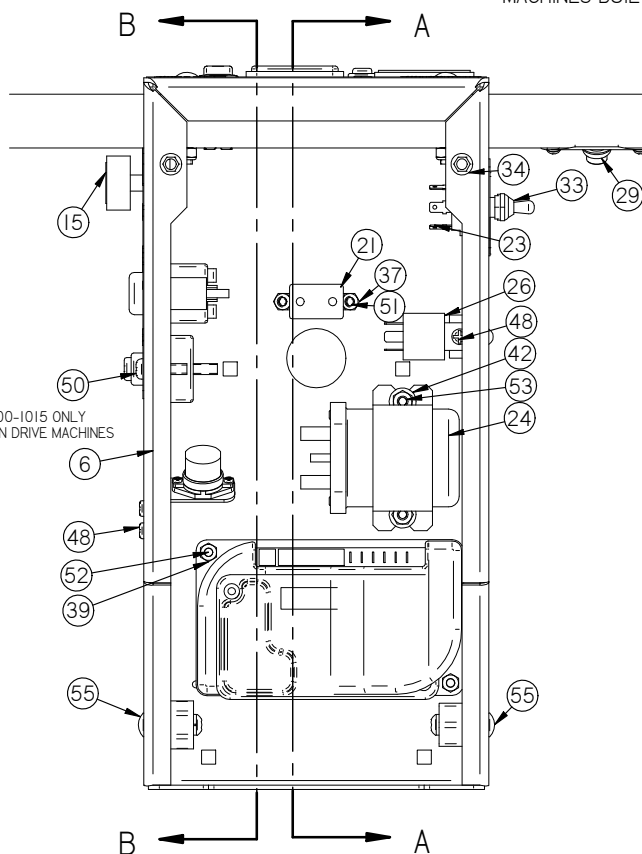


## Pad Assist

Item	Part No.	Part Description	Qty.
1	170-1270	TRACTION SPACER	2
2	170-3030	CASTER, NON-MARKING	2
3	200-1170	AXLE	1
4	200-3011	WHEEL	2
5	21-7570	BACK UP WHEEL (GREY)	1
6	270-7220	TIP BACK SWITCH ARM	1
7	5-223	LIMIT SWITCH	1
8	H-0175687	1/4-20 X 3/4" U-BOLT	2
9	H-28679	PPH #4-40 X 1"	1
10	H-33376	SET SCREW SHAFT COLLAR, 3/4" ID X 9/16 LG	2
11	H-4440024	FW 3/8" X 3/4" NYLON	1
12	H-70854	NYLOK #4-40 SS	1
13	H-70860	NYLOK 1/4"- 20 SS	1
14	H-70861	NYLOK 5/16" - 18 SS	1
15	H-70862	NYLOK 3/8"-16 SS	6
16	H-71017	FW 3/8 ID X 7/8 OD SS	8
17	H-74396	CB 1/4"- 20 X 1-3/4" SS	1
18	H-74429	CB 5/16"- 18 X 3/4" SS	1
19	H-76061	FW 1/4" NYLON	2
20	H-81983	5/16" X 1/4" KURL SET SCREW	2
21	H-NJ06C	JNYL 3/8- 16 SS	2



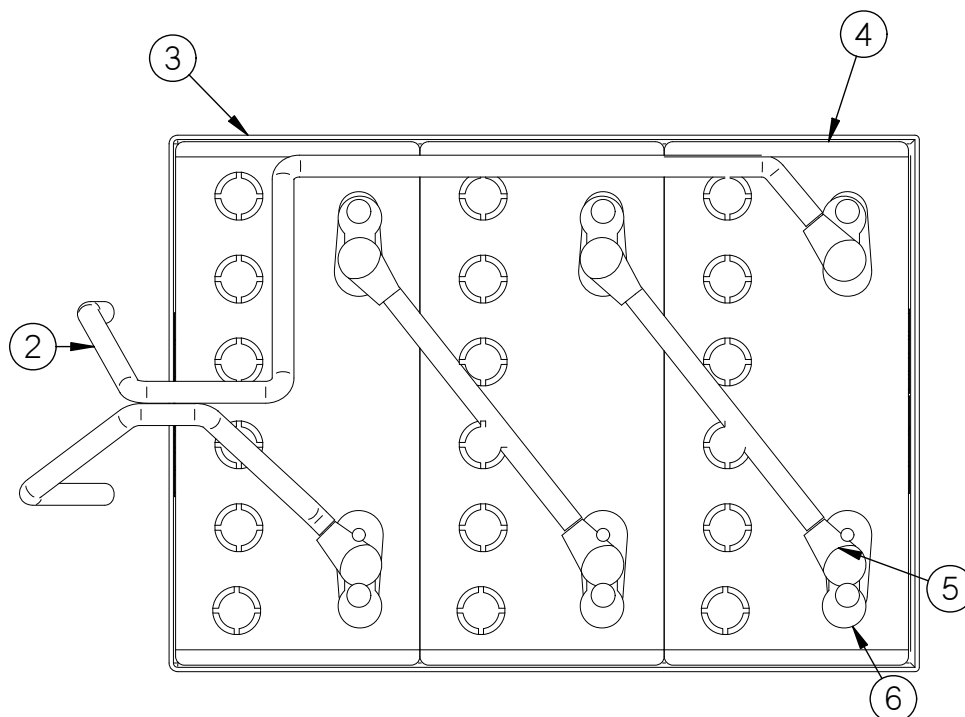
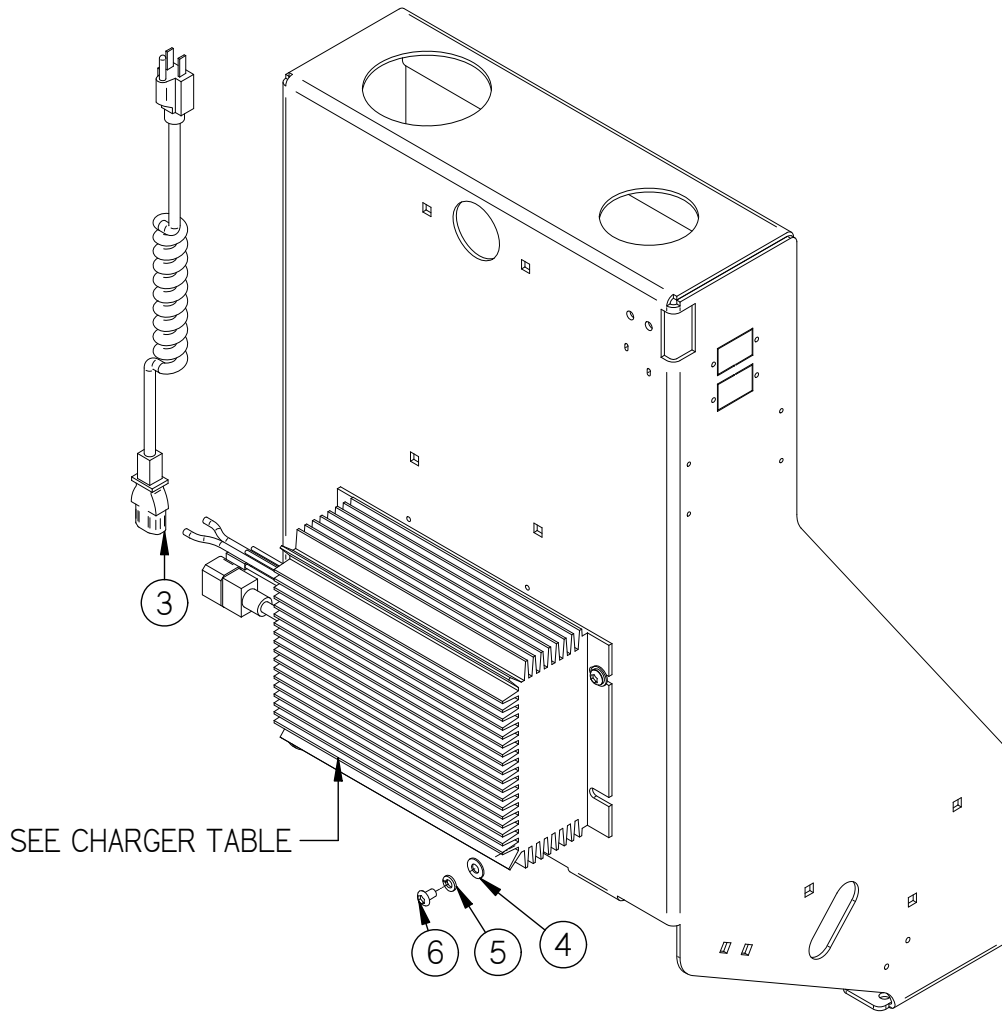
SECTION B-B



SECTION A-A

## Central Command

Item	Part No.	Part Description	Qty
1	170-1040	HANDLE BAR	1
2	170-2340	SWITCH, ROCKER, DPDT, ON/ON	1
3	190-1041	RED WIRE, 16 GAGE, 12" LG	1
4	190-1042	YELLOW WIRE, 16 GAGE, 12" LG	1
5	190-1390	END CAP	2
6	200-1003	TRACTION DRIVE CONTROL PANEL	1
7	200-1007	CONTROL PANEL COVER	1
8	200-1011	SWITCHBOARD INSULATOR	2
9	200-1015	TILT SWITCH	1
10	200-1016	TILT SWITCH BRACKET	1
11	200-2013	200 CONTROL PANEL TOP STICKER	1
12	200-2014	200 CONTROL PANEL SIDE STICKER	1
13	200-2021	200/270 REVERSE STICKER	1
14	200-4855	36V BATTERY AND HOUR METER	1
15	21-4520	SPEED CONTROL KNOB, RED	1
16	250-7290	36V BATTERY WARNING PLATE	1
17	290-2020	BRACKET	1
18	290-2310	FULL RECOVERY (RED)	1
19	290-234	KEY SWITCH (WITH KEY)	1
20	290-234A	KEY SET (REPLACE)	1
21	290-2815	CIR. BREAKER - 15A, 24V	1
22	290-7000	70 AMP BREAKER	1
23	370-2830	SWITCH, TOGGLE, MOM/OFF/MOM (DPDT)	1
24	390-2331	36V 200 AMP RELAY	1
25	390-9615	FUSE, RESETTABLE, 15 AMP, 50V DC MAX	1
26	5-293	15 AMP RELAY	1
27	7-227	BUTTON COVER	1
28	7-228	SWITCH MOUNT PLATE	1
29	7-229D	PUSH BUTTON SWITCH	1
30	7-292	5K POTENTIOMETER	1
31	H-0172518	CB #10-32 X 1/2" SS	1
32	H-108	HEAT SHRINK	2
33	H-11196	PROTECTIVE BOOT, TOGGLE SWITCH, (RED)	1
34	H-250HCN	HCN 1/4"-20	2
35	H-37408	KN #10-32	1
36	H-70854	NYLOK #4-40 SS	2
37	H-70858	NYLOK #10-32 SS	3
38	H-70860	NYLOK 1/4"- 20 SS	2
39	H-70923	KN #10-32 SS	4
40	H-70925	KN 1/4-20 S/S	4
41	H-71009	FW #10 SS	1
42	H-71013	FW 1/4 ID X 5/8 OD SS	2
43	H-71015	FW 5/16 ID X 3/4 OD SS	2
44	H-71057	LW #8, SS	2
45	H-71063	LW 1/4" SS	2
46	H-72398	PPHMS #8-32 X 1/2" SS	2
47	H-72486	PPH #4-40 X 1/2" S/S	2
48	H-72515	PPH #10-32 X 1/2" S/S	3
49	H-72588	PPH 1/4-20 X 5/8" SS	2
50	H-72592	PPH 1/4-20 X 1" SS	2
51	H-72682	FHP #10-32 X 1/2" SS	2
52	H-72684	FHP 10-32 X 3/4" SS	2
53	H-72708	FHP 1/4"- 20 X 3/4"	2
54	H-73752	BHSCS 1/4 - 20 X 1/2" SS	2
55	H-74417	CB 1/4"- 20 X .5" SS	2
56	H-74423	CB 1/4"- 20 X 2.0" SS	2





**Batteries and Charger**

Charger table					
Model	Battery	Off-Board (US)	Off-Board (Euro)	On-Board (US)	On-Board (Euro)
200/270	4-271 (185 Ah)	250-2440	250-2442	250-2445	250-2446
	250-2113 (240 Ah)	250-2440	250-2442	250-2445	250-2446
	250-2114 (M-Free)	250-2450	250-2451	250-2452	250-2453

Item	Part No.	Part Description	Qty.
1	200-1608	BLACK HOSE, 3-1/4" LG	1
2	200-1900	12 VOLT BATTERY CABLE KIT	1
3	270-0001	270 BATTERY TRAY	1
4	270-271	BATTERY 12 V 215 AH	3
5	H-40031	BATTERY BOOT	6
6	H-400317	TERMINAL COVER	6
7	M-503IK12	CLAMP STYLE PINCH VALVE	1

## Common Wear Parts

<b>Pad</b>	<b>Results</b>	<b>Part Number</b>
Aqua Burnish Pad	Aqua Burnish Pad is synthetic fibers recommended for frequent burnishing on soft to medium floor finishes.	20-310020
Natural Blend White Pad	Natural Blend White Pad is a mixture of natural hair and synthetic fibers for best gloss on various finishes and traffic conditions.	20-330020
Tan Burnish Pad	Tan Burnish Pad is synthetic fibers for harder finishes or high-traffic areas. Produces a brilliant wet-look gloss. Best mark removal.	20-340020
Tan Natural Burnisher Pad	Tan Natural Burnisher Pad is a mixture of natural hair and synthetic fiber for scratch and scuff removal on harder finishes or high-traffic areas.	20-350020
Pink Eraser Burnisher Pad	Pink Eraser Burnisher Pad is synthetic fibers designed to remove black scuff marks in fewer passes and is ideal for heavy-traffic floors.	20-360020

---

## 270 Suggested Parts Inventory

Quantity	Part #	Description
2	190-3035	Front Wheel Caster
4	190-3030	4.0"
2	H-73815	Side Wheel Bolt
2	4-124	Latch
2	255-1103	Vacuum Bags
2	200-3010	Rear Tires
2	200-9505	270 Decal

**BLANK**  
THIS PAGE WAS INTENTIONALLY LEFT BLANK

**BLANK**  
THIS PAGE WAS INTENTIONALLY LEFT BLANK



1711 South Street  
Racine, WI 53404  
[www.tomcatequip.com](http://www.tomcatequip.com)  
Tel. US: 800-450-9824  
Tel. Int: (001) 262-681-6470