

**MADE IN
USA**

TOMCAT

BURNISHERS

Walk Behinds & Riders



**Out Performs
Propane**

255
Micro Clean DHS

TOMCAT

MICRO RIDER

LARGE RIDERS

AUTOMATICS



200 Walk Behind Burnisher

TOMCAT Burnishers bring propane quality shine and productivity to the battery field. The **200** walk behind's tough construction, compact size and superior performance make it the battery burnisher of choice.

The hard, high-gloss shine developed by the **TOMCAT 200** is due to the unique burnishing head and flexible pad design. The head is ideally balanced and fully floating to provide a long lasting finish over uneven floor surfaces. The burnishing deck is protected under the machine, and the machine tips back permitting quick pad changes. Pad pressure is variable, and a deluxe instrument cluster is standard, including an hour meter to assist with preventive maintenance scheduling.

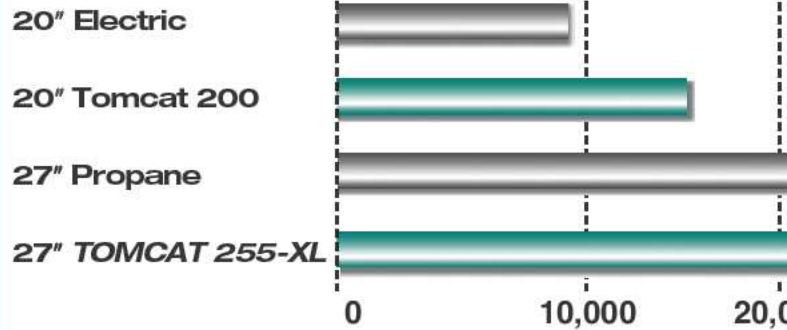
Dust control is a standard feature, which eliminates the need to dust mop the floor after burnishing is complete. The dust collection bags are easily removed for disposal and extra bags can be stored on the machine.

The **200-T** has a powerful traction drive, which is totally sealed, all-gear and maintenance free. It makes driving the machine an enjoyable task and climbing ramps a breeze. The **TOMCAT 200** is built to last, but maneuvers through congested areas with ease. The optional onboard charger gives operators the ability to burnish across a larger area, and the independence to recharge at any wall outlet.



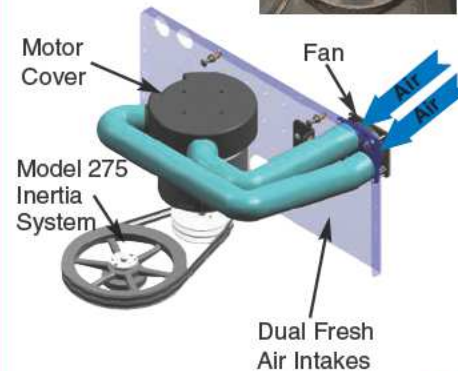
EASY PAD ACCESS

Productivity Comparison



SEE THE DIFFERENCE

Unlike this Unprotected Motor Tomcat's are Guarded from Dust



Productivity of

61" Long



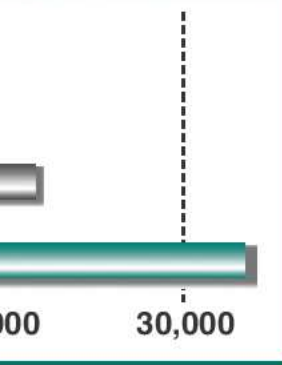
200 Walk



Smaller than Most Walk Behinds



(square feet/hour)



FITS ELEVATORS



ONLY 26" WIDE

Rider Burnishers

255

Now you can have a Rider burnisher that is actually **SMALLER** than most walk behinds on the market. The **TOMCAT 255 Micro Rider** has double the battery of the walk behinds and 35% wider burnishing path. The **255-XL** boasts a 27" path and can be equipped to run over 4 hours on a single charge, which is enough to polish over 140,000 square feet.

Like all **TOMCAT** burnishers, the **255** is quiet, fume-free, and can eliminate the problems associated with propane equipment. Dust control is standard, along with a comfortable operator's position.

The Pad Pressure is variable, and our flexible pad driver combined with the floating head design delivers a superior finish. Both riders utilize our unique pad drive design which maintains the pad's rpm over uneven floors, and travel speed automatically slows down when polishing.

275

The **TOMCAT 275** is the only rider burnisher built that can operate for 8 hours continuously. No need to change batteries or operate multiple machines to complete the large jobs. Gone are the days when a customer had to sacrifice the performance of propane to achieve the convenience and safety of battery. When properly equipped, the **275** can polish nearly 250,000 sq. feet without stopping.

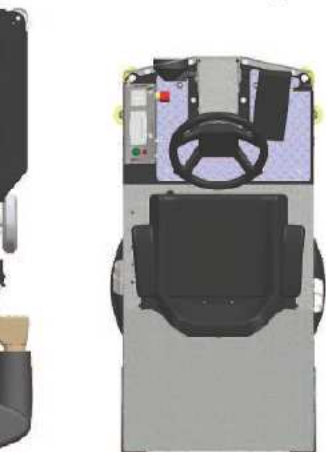
Call (800) 450-9824 for a Demonstration

Smaller than a Walk Behind

g

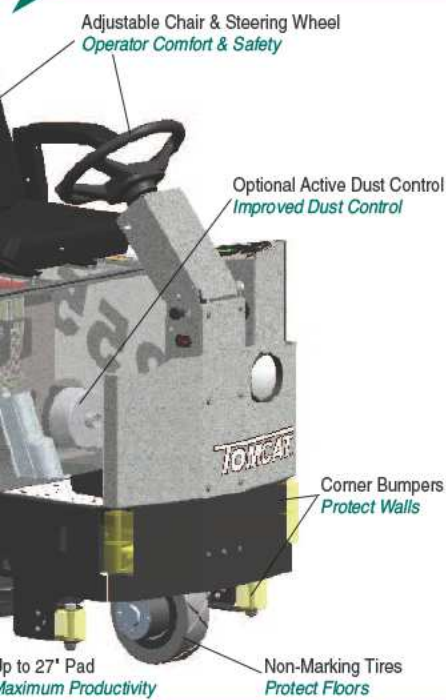
54" Long

58" Long

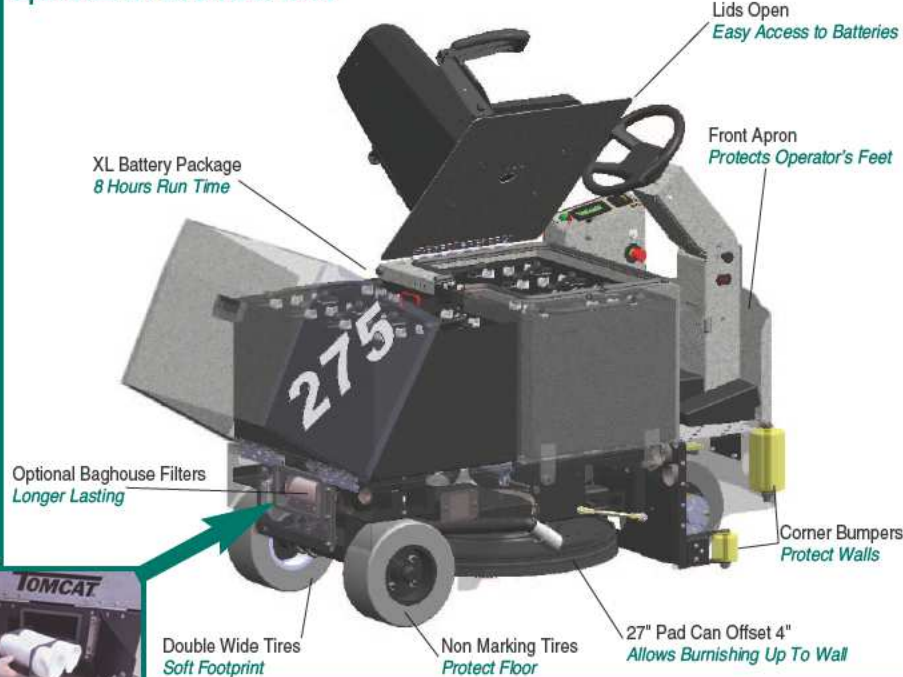


255 Rider

275 Rider



Operates a Full 8-Hour Shift



RIDER RETURN ON INVESTMENT

Area (Sq. Ft.)	20" Battery Walk Behind	27" Battery Rider	Savings Monthly
10,000	\$ 137.00	\$ 61.00	\$ 76.00
25,000	\$ 343.00	\$ 152.00	\$ 190.00
50,000	\$ 687.00	\$ 305.00	\$ 381.00
100,000	\$1,375.00	\$ 611.00	\$ 763.00
150,000	\$2,062.00	\$ 916.00	\$1,143.00
250,000	\$3,437.00	\$1,527.00	\$1,909.00

**Based on a total labor cost of \$10/hour.*

SOLD THROUGH DISTRIBUTORS

We are building our reputation by providing the toughest, best-engineered, highest-value machines our industry can produce. We make sure that in every market in which our 330 **TOMCAT** distributors do business, they maintain a factory-trained service department with a vested interest in our customers' long-term satisfaction.

We offer a line of cleaning equipment that includes sweepers, automatic scrubbers, and burnishers, in both walk-behind and rider models. **TOMCATs** are practical, rugged machines that are priced sensibly. Your local distributor can assist you with machine rentals, soap, and floor sealer information. They will gladly provide service on many brands of equipment.

GUARANTEED SERVICE

We guarantee to supply you with the spare parts you need within three work days – or they're yours free. This applies only to the 48 contiguous states, at the customer's special request, and to parts that can be shipped by courier.

AUTHORIZED DISTRIBUTOR



TOMCAT

Manufactured By:
R.P.S. Corporation

P.O. Box 241 • Racine, WI 53401

Phone: (800) 450-9824

Fax: (866) 632-6961

www.tomcatequip.com

Copyright R.P.S. Corporation 2010. All rights reserved. Since our policy is one of constant improvement, all specifications are subject to change without notice.

Model Type	200 Walk Behind	255 Micro Rider	275 Compact Rider
Construction			
Frame (Powder Coated Steel):	10-ga. (1/8")	7-ga. (3/16")	7-ga. (3/16")
Rear Axle Capacity:	1,200 lbs.	5,200 lbs.	5,200 lbs.
Rear Wheels (non-marking):	(2) 8" x 2"	(2) 12" x 3.5"	(2) 12" x 5"
Front Wheel (non-marking):	(2) 4" x 2"	(1) 10" x 3"	(1) 12" x 4"
Dimensions (L x W x H):	44" x 24" x 40"	54.5" x 25" x 50"	58" x 30" x 50"
Weight (w/batteries):	602 lbs.	1,072 lbs.	1,566 lbs.
Weight (w/o batteries):	274 lbs.	714 lbs.	846 lbs.
Burnishing System			
Pad Diameter:	(1) 20" or 27"	255: (1) 20" 255-XL: (1) 27"	(1) 27"
Pad Motor Power (std.):	(1) 3.0 hp	(1) 4.0 hp	(1) 4.0 hp
Pad Motor Power (opt.):	NA	NA	(1) 5.5 hp
Pad Speed:	2000 rpm	255: 2000 rpm 255-XL: 1800 rpm	1600 rpm
Pad Engagement:	Direct	Direct	Dual Belt
Variable Pad Pressure:	10-65 lbs.	10-75 lbs.	10-75 lbs.
Pad Driver:	Flexible	Flexible	Flexible
Battery System			
200 (Pad Assist):	165 or 210 ah	(6) 6-v/245 ah	(6) 6-v/420 ah
200 (Drive):	210 or 245 ah		
270 (Pad Assist):	210 ah	(6) 6-v/420 ah	(12) 6-v/420 ah
270 (Drive):	210 ah		
Battery Run Time:	Up to 3 hours	Up to 4 hours	Up to 8 hours
Charger (110v/60 Hz/auto.):	36 volt/25 amp	36 volt/25 amp	36 volt/36 amp
Filtering System			
Vacuum Description:	Passive	Passive or Active	Passive or Active
Filtering Material:	Polymer Felt	Polymer Felt	Polymer Felt
Filter Rating:	1 Micron	1 Micron	1 Micron
Screen Material:	NA	NA	Stainless Steel
Vacuum Power (opt.):	NA	0.75 hp	0.75 hp
Drive System			
Transport Power:	0.5 hp (200-T)	1.0 hp	2.0 hp
Forward Speed Control:	0-4.5 mph	0-4.5 mph	0-5 mph
Reverse Speed Control:	0-3 mph	0-3 mph	0-3 mph
Braking System:	Dynamic	Dynamic	Dynamic
Minimum Aisle for U-Turn:	46"	56"	63"
Productivity			
Cleaning Rate/Hour (Max.):	35,248 sq. ft./hr.	45,000 sq. ft./hr.	45,000 sq. ft./hr.
Cleaning Rate/Hour (Norm.):	24,421 sq. ft./hr.	34,817 sq. ft./hr.	34,817 sq. ft./hr.
General			
Sound Level (@ driver's position):	68 dBA	70 dBA	70 dBA
Gradeability:	11 degrees/19%	11 degrees/19%	11 degrees/19%
Optional Equipment			
Onboard Chargers, Headlight, Strobe, Backup Alarm, Maintenance Free Batteries, Active Dust Control			